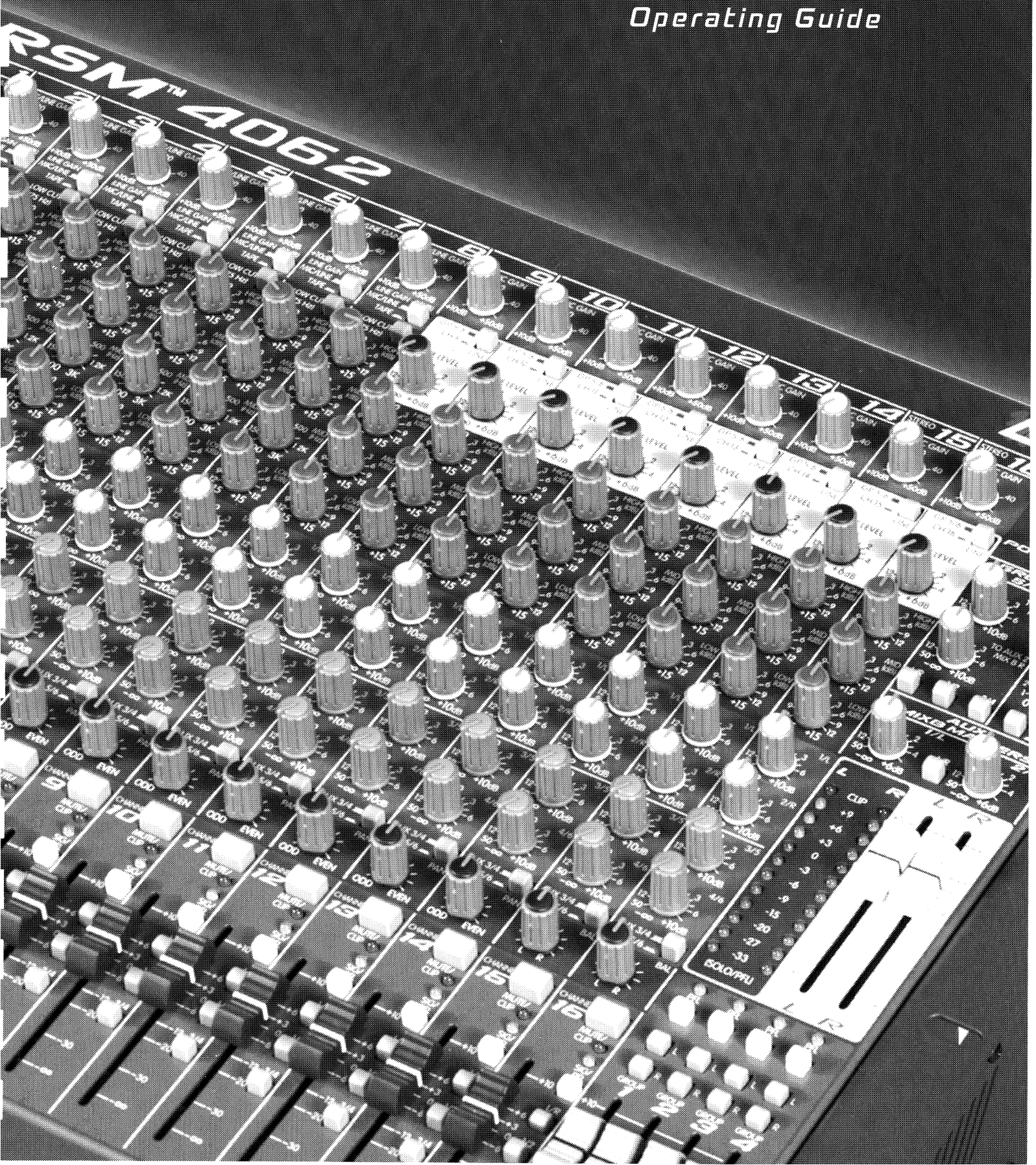


RSM™ 4062



Operating Guide



RSM™ 4062

Rack-Mountable Recording and Sound Reinforcement Mixer

II. INTRODUCTION

Thank you for purchasing the Peavey RSM™ 4062. The RSM 4062 is a 16-channel, rack-mountable, recording and sound reinforcement mixer with incredible versatility. Its architecture was designed to enhance any 8-track recording configuration right down to its mounting options. Its impressive features list requires very detailed explanations. This guide will help to describe those features by dividing the RSM 4062 into various groups. To begin, let's identify these features.

- * Sixteen input channels with EQ, pan, aux and group assign controls
- * Four different types of input channel configurations for outstanding versatility
- * Universal chassis design allowing rackmount or desktop placement
- * Very-low-noise mic inputs (XLR) with gain trim on all input channels
- * Smooth, 60 mm fader on each channel and Groups 1-4
- * Phantom power with separate defeat switches for Channels 1-2 and 3-16
- * Channels 1-8 optimized for 8-track recording (direct output, tape input and input select switch)
- * Channels 9-16 optimized for stereo
- * Insert (in/out) jacks on Channels 1-8
- * Six aux outputs (2 balanced XLR)
- * Four mono subgroups (1 through 4)
- * One stereo subgroup pair (5 and 6)
- * Phase and pad switches on Super Channels (1 and 2)
- * Mute switch, clip LED and signal present LED on all input channels
- * Pre-Fader Stereo Mix B (Aux 1 and 2)
- * Switchable low cut filter on Channels 3-8
- * Smooth, 60 mm left and right master faders
- * PFL/SOLO on all input channels and subgroups
- * Stereo headphone and control room outputs
- * Balanced mono output (XLR) with separate level control
- * Balanced stereo L/R output (XLR)
- * Unbalanced stereo L/R output (1/4")
- * Left and right master inserts (1/4")
- * Stereo tape in (1/4" or RCA) and tape out (RCA) jacks
- * Stereo control room outputs (1/4")

As you can see, this mixer is packed with features. Obviously, we can only begin to describe the infinite hookup configurations and applications of which the RSM 4062 is capable. We will, however, explain each feature and suggest some common uses as we go along. As you use the RSM 4062 always keep in mind that the capabilities of this mixer are mostly limited to the imagination.

Now, let's talk a bit about how this manual is set up and the format you can expect to encounter on the following pages.

Since we are dealing with one serious mixer, the format for this guide will be laid out in the following order for simplicity:

- I. Table of Contents
- II. Introduction (You're reading it now.)
- III. Break It Down
- IV. Power
- V. Rear Panel INs and OUTs
- VI. Input Channels
- VII. Master Control Section
- VIII. Block Diagram of Signal Flow
- IX. Recommended Hookup Diagrams
- X. Specifications and Warranty

Each section begins with a small statement describing what the section is about and what you should expect to learn from its content. Beginning in Section IV you will find descriptions of the numbered features as well as a diagram showing the features' physical location on your RSM 4062. Simply match the number of the description to the number on the associated diagram to help you locate it.

It is important that you carefully read this guide in its entirety. Pay special attention to the notes and cautions throughout. If possible, keep this manual with your unit to use as reference when needed. We are certain your RSM 4062 will provide you with a pleasurable mixing experience.

III. BREAK IT DOWN

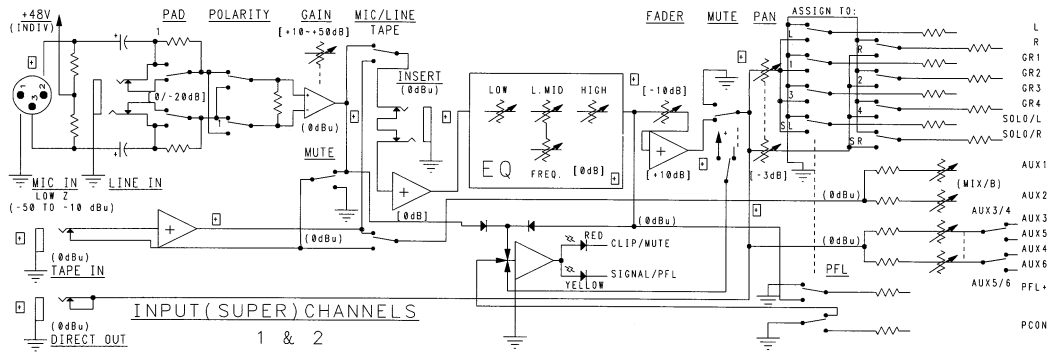
Before we jump right in, let's break the RSM 4062 down into smaller units so we can observe them individually. It's good that you get an understanding of these units before we begin hooking up external equipment. This is a basic explanation of signal flow described in the order at which a signal progresses through each section of the RSM 4062.

BUSSES

Bussees are the paths at which your RSM 4062 routes signal throughout its circuitry. Viewing the RSM 4062 Block Diagram on page 20 the bussees can be easily identified. Towards the center of the drawing you will see 3 groups of vertical lines with black dots throughout. These are the bussees of your RSM 4062. There are essentially 18 bussees in which audio signal is passed throughout the RSM 4062. These bussees include: Main(L/R), Groups1-6, Aux 1-6, PFL/Solo(L/R) and Control Room.

INPUT CHANNELS

From a signal flow standpoint, it all begins at the channel input stage. The following block diagram shows the topology and basic signal flow of the Input Channels 1 and 2. These two channels have special features and differ from Channels 3-8.

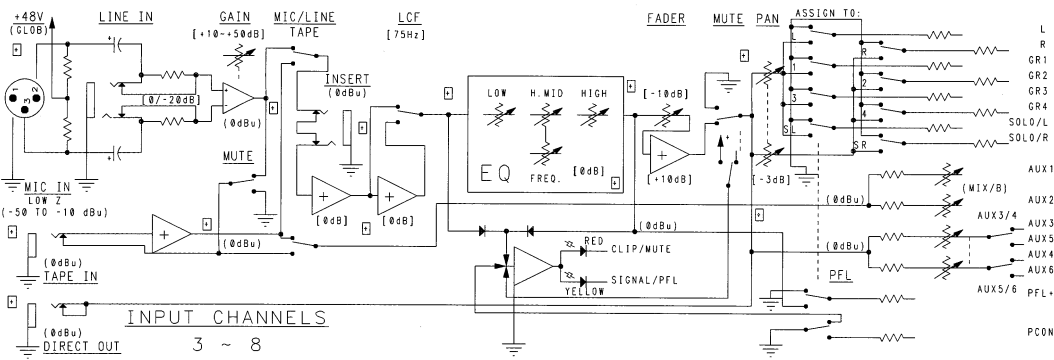


Reading the diagram from left to right (standard signal flow) you'll find: a mic input, line input, input pad switch, polarity switch, gain control and tape input select switch. When the tape input is selected all previous features mentioned above are bypassed. From there the signal passes through the insert jack and through the low, mid and high EQ's. The mid EQ center frequency is adjustable from 40 Hz to 1.2 kHz. The signal for the PFL is taken at this point in the signal chain when the PFL switch is selected for the channel. The signal also continues on to the fader, mute switch, direct out and pan controls. Finally, the signal is sent to the various busses as determined by the assign switches. Channels 1 and 2 can send signal to the following busses: Main(L/R), Groups 1-4, Aux 1-6, and PFL/Solo.

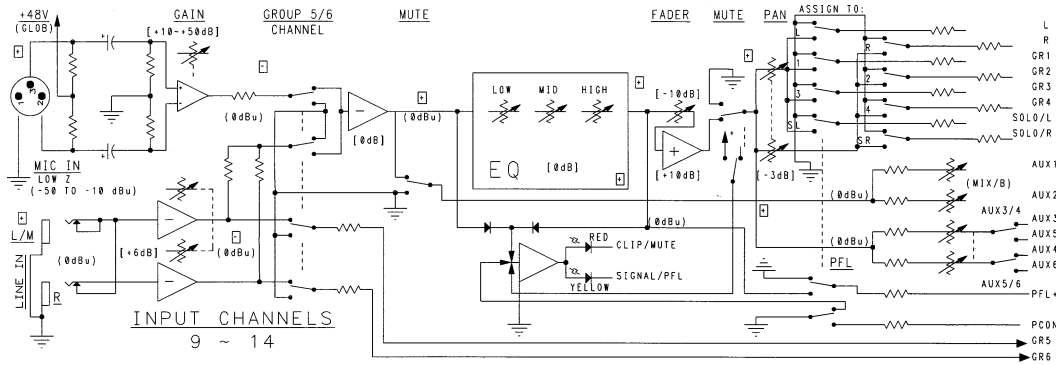
Aux 1 and 2 are taken directly from the tape input when the tape is not selected on the tape input select switch. This allows you to create a second mix, MIX B, on the Aux 1 and 2 busses.

TIP: This is very useful when sending signals from the direct outs of Channels 1-8 to the inputs of an 8-track recorder. Using the individual track outputs from the recorder you can return them to their respective channels at the tape inputs. These input signals are then placed on the Aux 1 and 2 (MIX B) busses for monitoring tape playback. See page 23 to view a hookup diagram of this configuration. Now, let's look at the other input channels, Channels 3-16, to see how they differ.

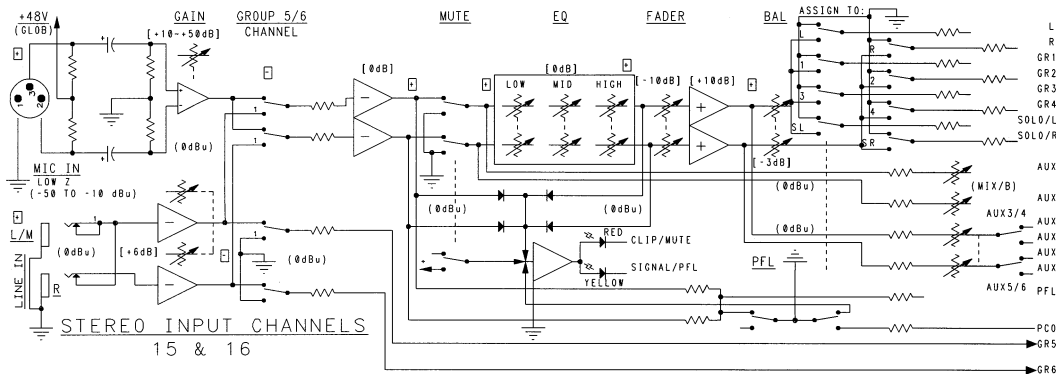
Channels 3-8 are identical to Channels 1 and 2 with the following exceptions: the addition of the low cut filter (switchable) and the deletion of the pad and polarity switches. If you are mixing a device that may need a switchable pad and/or polarity, such as a bass drum, it is recommended to place them on Channels 1 and 2. Also, the mid EQ center frequency is adjustable from 100 Hz to 3 kHz. The block diagram below is typical of Channels 3-8 and reflects the differences mentioned above. Channels 3-8 can send signal to the following busses: Main(L/R), Groups 1-4, Aux 1-6, and PFL/Solo.



Channels 9-16 are designed to accommodate stereo line inputs. These channels eliminate the tape in, tape input select switch, mid-sweep control of the EQ, direct out and insert jacks. Added to Channels 9-16 are a line input select switch, separate line and mic level controls and a stereo pair of 1/4" input jacks. The block diagram below is typical of Channels 9-14. Channels 9-14 can send signal to the following busses: Main(L/R), Groups 1-6, Aux 1-6, and PFL/Solo.



Channels 15 and 16 are full-featured stereo channels. With this arrangement the Aux 1 and 2 signals are taken from the left and right pre-fader and Pre-EQ signals respectively. The block diagram below is typical of these full-feature stereo channels. Channels 15-16 can send signal to the following busses: Main(L/R), Groups 1-6, Aux 1-6, and PFL/Solo.



NOTE: The line input select switch (Channels 9-16) determines which input, line or mic, will be routed through the channel. If the mic position is selected, the stereo line signal is placed on the Group 5(L) and 6(R). This is a great way to add more versatility to your RSM 4062 and increase the possible number of inputs.

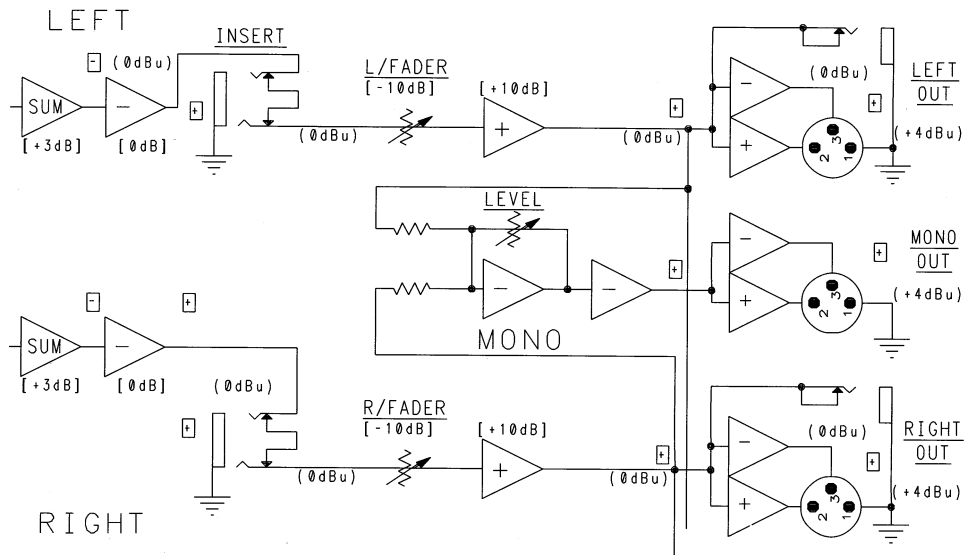
MIXES

When we speak of the various mixes on the RSM 4062 we are basically speaking of the resultant signals from the various busses found at the RSM 4062 outputs. Let's take a look at the individual output sections.

Main Stereo L/R and Mono Outputs

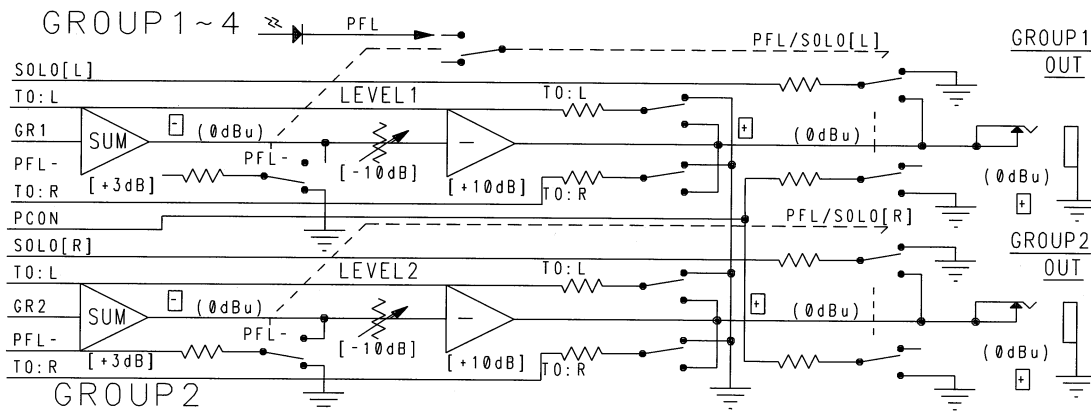
The first and most common section is the master L/R/Mono output section. In this section the RSM 4062 provides separate Left and Right outputs (both balanced XLR and unbalanced 1/4"). Each signal goes through a final pre-fader insert jack to allow for the placement of master effects in the master L/R signal chain. In addition, the Left and Right signals are also mixed (L+R) to create a balanced (XLR) Mono signal. All three outputs are controlled by the master Left and Right faders. The Mono output is also controlled by its own level control, the Mono Out Level. Use this control to

adjust the level of the Mono Out and use the master Left and Right faders to adjust the balance as desired. The following block diagram shows the master L/R/Mono output section.



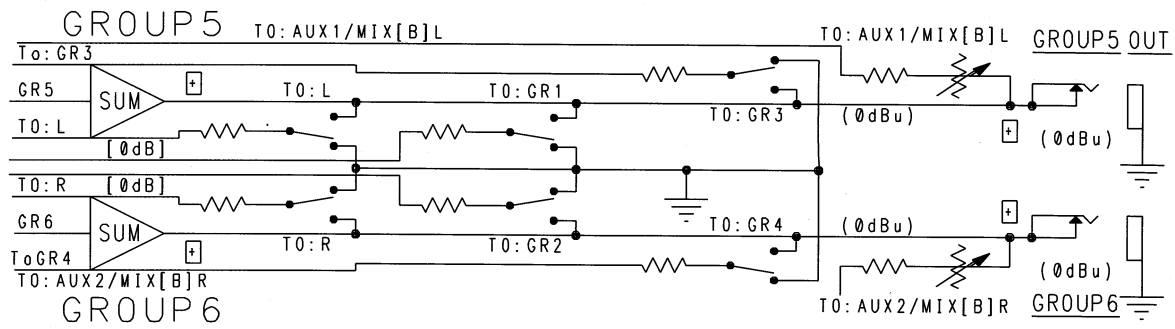
GROUPS 1-4 OUTPUTS

The next mix is the Group mix. Groups 1-4 are slightly different than Groups 5 and 6. Groups 1-4 have their own assign switches and faders similar to the input channels. Each group (1-4) features a PFL switch, Left (L) switch, Right (R) switch, and a master fader. The switches assign the group signal to the particular buss. For instance, if you group the various drums of a drum kit into Group 1, pressing the Group 1 (L) switch would send that group mix to the Left bus. How much of that signal present on the Left bus is determined by the group's master fader. The following block diagram shows Groups 1 and 2 (typical of 3 and 4).



GROUPS 5 AND 6 OUTPUTS (CHANNELS 9-16)

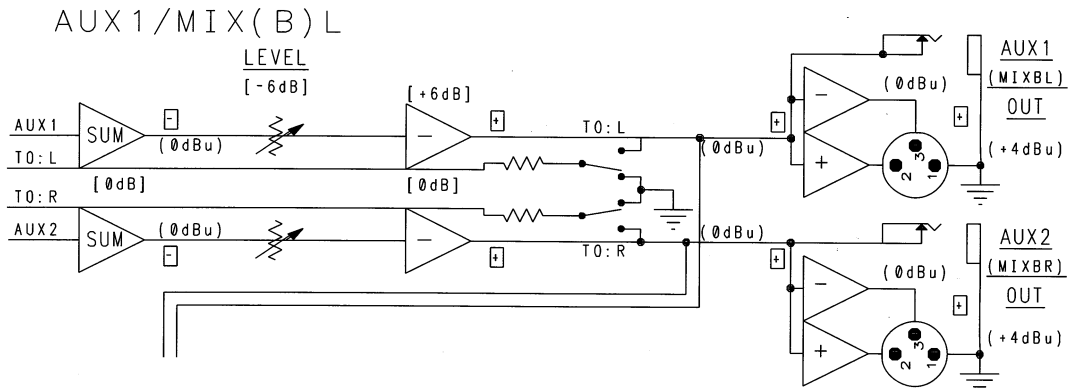
Groups 5 and 6 do not have faders like Groups 1-4. Groups 5 and 6 are meant to provide a stereo signal (5-Left and 6-Right) to be placed on any of the following busses: Groups 1/2, Groups 3/4, Main Left/Right and the Aux 1/2 (MIX B). All busses are selectable by switch except for the Aux 1/2 (MIX B) buss. The output of Groups 5 and 6 to the Aux 1/2 (MIX B) is controlled by two separate rotary level controls. Groups 5 and 6 are not PFL selectable unless they are assigned to Groups 1/2, Groups 3/4, Main Left/Right or the level is adjusted to pass the signal to the Aux 1/2 (MIX B). PFL can be selected from within those areas. The following block diagram shows the Groups 5 and 6.



AUX 1 AND 2 OUTPUTS

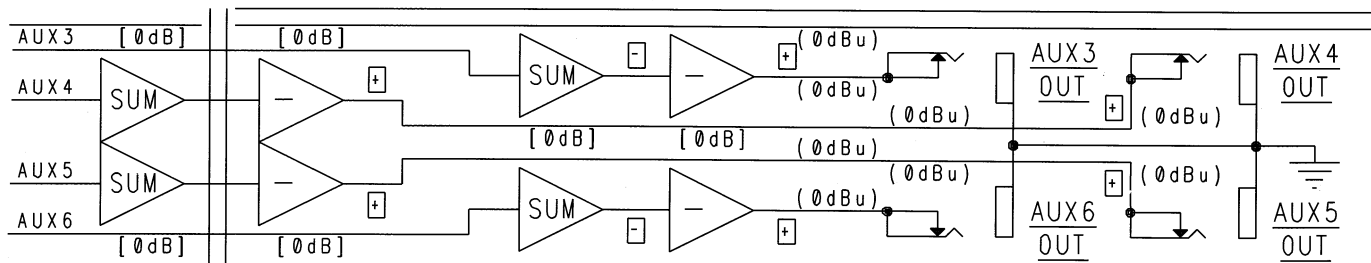
Aux 1 and 2 (also referred to as stereo MIX B) is a pre-fader stereo mix ideal for monitor applications. As mentioned in the previous section, Groups 5 and 6 can be sent to this Aux mix by adjusting the separate level controls (can be used like a balance) see number 57, page 18. The Aux/MIX B Master section provides an Aux 1/L level control, an Aux 2/R level control and a L/R switch to determine if the mix is sent to the Main Left/Right buss. Remember, if the Main Left/Right buss is selected by the L/R switch, the level controls will be in the signal path, thus affecting the signal level.

The following block diagram shows the Aux 1 and 2 signal flow.



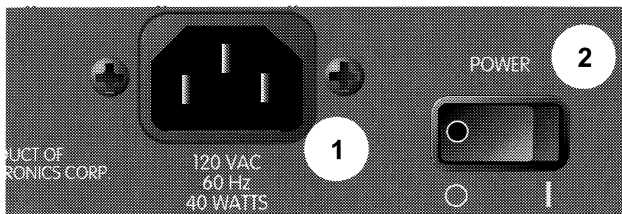
AUX 3, 4, 5 AND 6 OUTPUTS

Aux 3, 4, 5 and 6 are quite simple in structure. Each signal is routed to its respective output. Levels on these Aux mixes are controlled by the individual input channel controls for the respective Aux channel. The following block diagram shows the Aux 3, 4, 5 and 6 signal flow.



HEADPHONE AND CONTROL ROOM OUTPUTS

The last section is the Headphone/Control Room section. The purpose of this area is to provide the headphone output and control room output as well as determine what mix is present at those outputs. This section also provides the Tape In/Out functions of the RSM 4062. Up to this point we haven't discussed the PFL/Solo functions very much. Since these are monitored in the headphones and/or control room mixes they are included here as well. Both levels are determined by the Headphone/Control Room Level control.



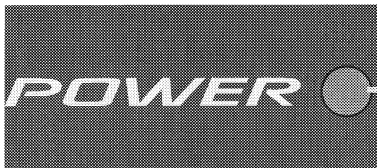
- 1. REMOVABLE AC POWER CORD**
This receptacle is for the IEC line cord (included), which provides AC power to the unit. Connect the line cord to this connector and to a properly grounded AC supply. Damage to the equipment may occur if an

improper line voltage is used (see voltage marking on unit). Never remove or cut the ground pin of the line cord plug. This unit is supplied with a properly rated line cord. When lost or damaged, replace this cord with one of the proper ratings.

2. POWER SWITCH



Place this switch in the (I) position to apply power to RSM 4062. Return it to the (O) position to turn the RSM 4062 off. It is recommended that the unit be turned off while patching and/or applying power to external equipment to be used in conjunction with the RSM 4062. The Power LED (3) will illuminate when power has been applied and the unit is on.



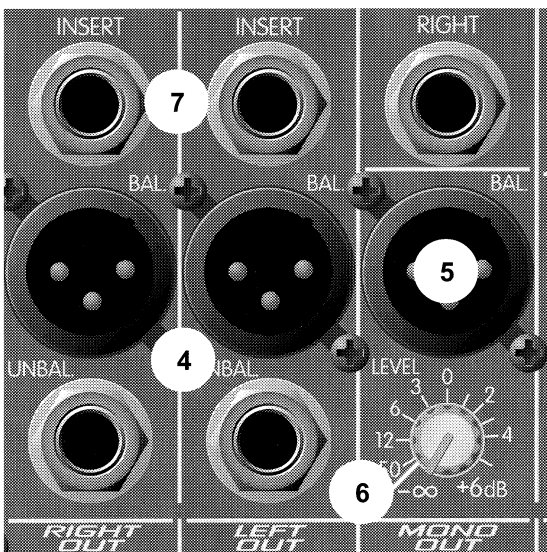
3. POWER LED

Located on the front, right corner of the RSM 4062, this LED will illuminate when power is applied to the RSM 4062, indicating the unit is on.

V. REAR PANEL INS AND OUTS

This section describes the rear panel patchbay of the RSM 4062 where all inputs and outputs (except the HEADPHONE OUTPUT) can be found. The actual input channel connections are described in section VI, Input Channels.

After proper power has been supplied to the RSM 4062 the next step is to connect any outboard equipment such as recording devices, effects units, equalizers, and power amps. This section describes the optimum method for connecting your outboard devices to your mixer. All connections should be made with the power turned off on all associated units including the RSM 4062. Always use high quality cables and connectors to ensure optimum performance and minimal noise.



4. MASTER L/R OUTPUTS

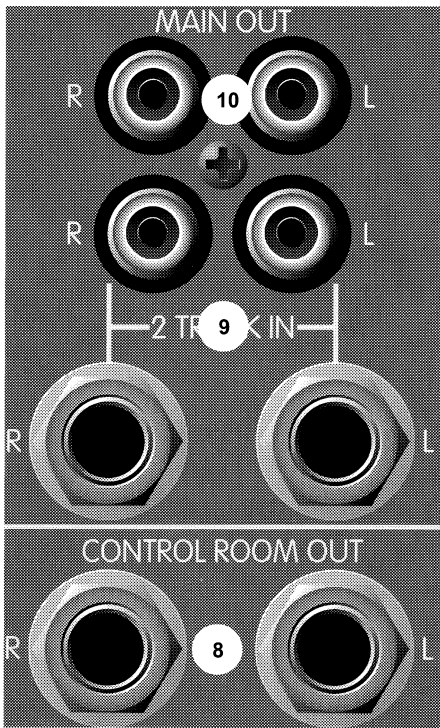
Each of the Master L/R channels has an 0 dBu/2 k Ohm, 1/4" unbalanced output and a +4 dBu/ 600 Ohm, XLR balanced output. The unbalanced and balanced outputs can be used simultaneously.

5. MONO OUTPUT

The Mono Output is a +4 dBu/600 Ohm, XLR balanced output. MONO OUT mixes the post-fader L and R signals. The output signal level is affected by the L-R master faders as well as its own MONO LEVEL CONTROL (6).

6. MONO LEVEL CONTROL

This control adjusts the level on the MONO OUTPUT (5). Unity gain is at the center detente position and +6 dB of gain in the full clockwise position maximum.



10. MAIN OUT RCA

These outputs duplicate the MASTER L/R main, unbalanced output with a pair of RCA connectors for convenient connection to a tape machine input.

7. MASTER L/R INSERT IN/OUT (See page 11)

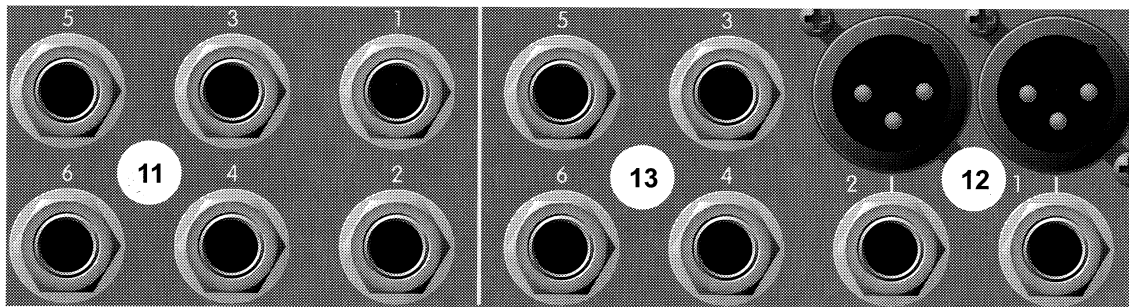
These two 1/4" stereo (TRS) jacks allow an external device to be inserted into each of the signal paths, pre-fader in the Master L/R channel. The tip has the send signal. The ring is the return input. A switch in the jack normally connects the send to the return until a plug is inserted.

8. CONTROL ROOM L/R OUTPUT

These two 0 dBu/10 k Ohm, unbalanced 1/4" (TS) outputs provide the signal to drive the control room monitors. The level is controlled from the HEADPHONE/CR LEVEL CONTROL on the front panel.

9. TWO TRACK INPUT

A 0 dBu/10 k Ohm, unbalanced 1/4" (TS) stereo input, which allows the signal from an external tape machine to be monitored on the HP/CR OUTPUT. This input is duplicated with a pair of parallel RCA connectors.



11. GROUP 1—6 OUTPUTS

These six unbalanced 0 dBu/2 k Ohm, 1/4" (TS) outputs provide the signals from GROUP 1—6.

12. AUX 1/2 (MIX B) OUTPUTS

Each of the two AUX1/2 (MIX B L/R) master-mix channels has a 0 dBu/2 k Ohm, 1/4" unbalanced output and a +4 dBu/600 Ohm, XLR balanced output, which can be used simultaneously. These are the MIX B outputs as well.

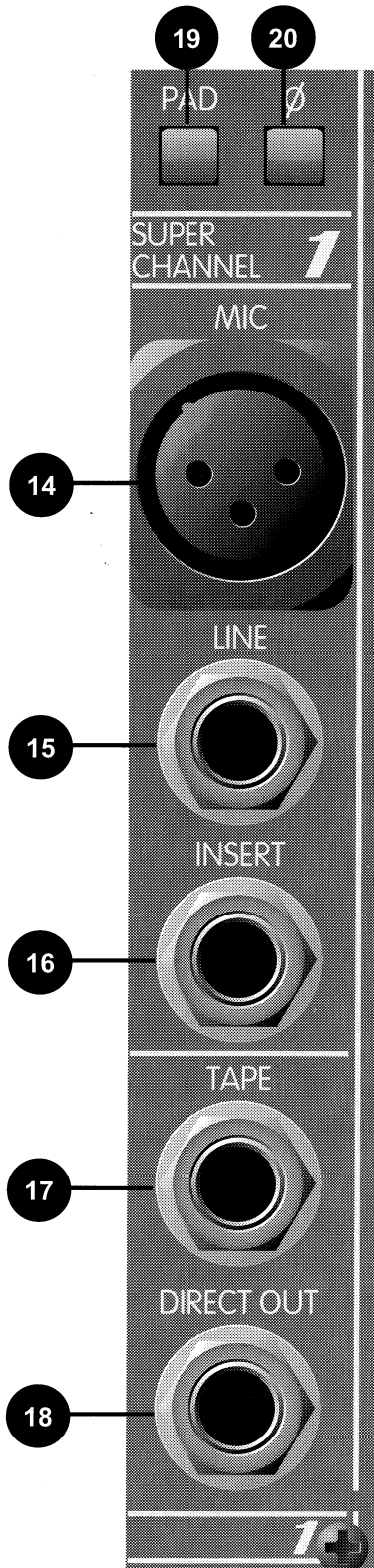
13. AUX 3—6 OUTPUTS

These four unbalanced 0 dBu/2 k Ohm, 1/4" (TS) outputs provide the signals from AUX 3—6.

VI. INPUT CHANNELS

The input channels of the RSM 4062 are the heart of its versatility. Various channel configurations have been included to eliminate the need for patch cables and adapters. This section will describe those different configurations and the numerous features of each.

CHANNEL 1 AND 2 SUPER MIC/LINE CHANNELS (BACK PANEL CONNECTIONS)



14. MICROPHONE INPUT

This XLR balanced input is for a low impedance microphone or (through -20 dB pad) for a high level, high impedance line source. Pin 2 is the positive input. Phantom power is available and is described in number 63.

15. LINE INPUT

The Line Input is a $1/4$ " (TRS) balanced line-level input for high level signals. The tip is the positive input. A standard $1/4$ " (TS) unbalanced connection can be made here as well.

16. INSERT

This $1/4$ " stereo (TRS) jack allows an external device to be inserted into the signal path between the MIC/LINE, TAPE inputs and before the EQ. The tip has the send signal, the ring is the return input. A switch in the jack normally connects the send to the return until a plug is inserted.

17. TAPE INPUT

This $1/4$ " (TS) unbalanced tape input accepts the relatively high level signals returned from the recording equipment. It can be routed through the channel alternatively with the MIC/LINE inputs using the MIC/LINE—TAPE (22) switch.

18. DIRECT OUTPUT

This is a $1/4$ " (TS) post-fader, post-mute, pre-pan, unbalanced channel output ideal for a tape send.

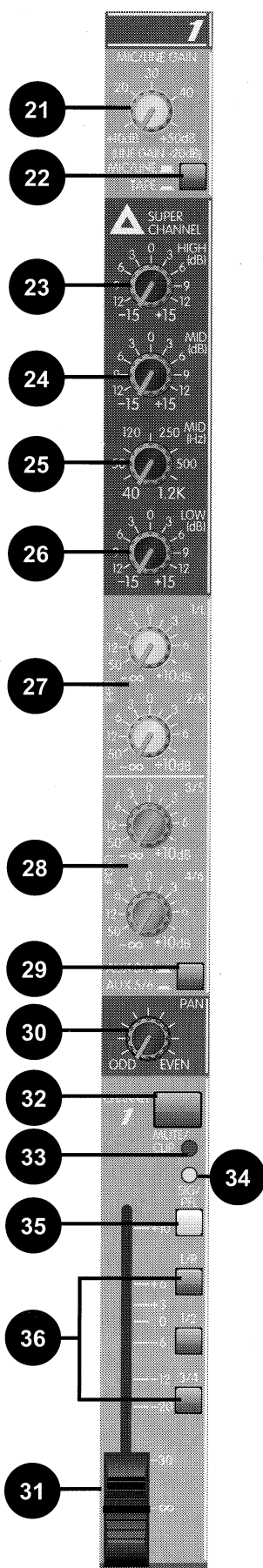
19. PAD SWITCH (CHANNEL 1 AND 2 ONLY)

The Pad Switch attenuates the microphone input signal by 20 dB. This will increase the dynamic range to accommodate a higher input level before clipping.

20. POLARITY SWITCH (CHANNEL 1 AND 2 ONLY)

The Polarity Switch reverses the phase of both microphone and line input signals. This will compensate for an out-of-phase input that would otherwise cause frequency cancellations in the mix.

CHANNEL 1 AND 2 (FRONT PANEL FEATURES)



21. GAIN

The GAIN control varies the gain of the channel input to allow a wider input dynamic range. The GAIN adjustment range is +10 dB to +50 dB or -10 dB to +30 dB when either -20 dB pad or the LINE INPUT (15) is used. Proper adjustment of the input gain will maximize the signal to noise ratio. It can be set by depressing the PFL switch (35) and adjusting for a 0 dB level at the R meter.

22. MIC/LINE~TAPE

This is a "flip" switch directing either the MIC/LINE input signal or TAPE input signal through the channel. If no 1/4" jack is plugged into the TAPE input the mic/line signal is applied to the TAPE input regardless of the "flip" switch position.

23. HI EQ

The HI EQ is a shelving type of active tone control that varies the frequency range above 12.5 kHz by +/-15 dB.

24. MID (dB) EQ

This is a bandpass (boost/cut) type of active tone control that varies the mid frequency levels +/-15 dB within the frequency range 40 Hz to 1,200 Hz.

25. MID (Hz) SHIFT

This determines the center frequency of the MID EQ which varies between 40 Hz to 1,200 Hz.

26. LO EQ

The LO EQ is a shelving type of active tone control that varies the low frequency levels +/-15 dB (Corner frequency is 80 Hz.)

27. AUX 1/2 (MIX B L/R)

These controls adjust the level of the channel pre-fader signal that is added to AUX 1/2 mix. Unity gain is at the center detente position and +10 dB of gain in the full clockwise position. These also serve as a MIX B L/R mix.

28. AUX 3/5, AUX 4/6

These two controls adjust the level of the channel post-fader signal that is added to either AUX 3/4 or AUX 5/6 mix. Unity gain is at the center detente position and +10 dB of gain in the full clockwise position.

29. AUX 3/4 - AUX 5/6 SWITCH

This switch establishes which aux-send the channel post-fader signal will be present on. The out position picks up the post-fader channel signal and sends it to the AUX 3/4 mix. The "down" position picks up the post-fader channel signal and sends it to the AUX 5/6 mix.

30. PAN

The PAN control sets the channel signal in the L or R, Group 1 or 2 and Group 3 or 4 master outputs according to the assignment switches' position.

31. CHANNEL FADER

This smooth 60 mm logarithmic, channel output level control (ranges from -97 to +10 dB) sets the level sent to the L/R, Group 1/2 and Group 3/4 master channels when selected. The reference setting for this control is "0 dB" — unity gain position.

32. MUTE

This switch mutes all AUX 1-4 sends, L/R, Group 1/2, Group 3/4 and Solo L/R busses for the channel.

33. MUTE/CLIP RED LED

This red LED normally serves as a clip indicator (2 dB below clipping). It lights continuously when the Mute button is engaged.

34. SIGNAL/PFL YELLOW LED

This yellow LED normally serves as a signal presence indicator (-15 dB). It lights continuously when the PFL button is engaged.

35. PFL/SOLO

This switch connects the channel's pre-fader signal to the PFL mix and the post-fader, post-pan signal to the SOLO L/R mix. At the same time it switches the headphone and control-room outputs from the Master L/R mix (default) to the PFL or SOLO mix according to the position of the GLOBAL PFL/SOLO switch in the master section. It also connects the PFL signal to the R meter to aid the setting of the input gain and is not affected by the mute switch position. The SOLO signal is connected to the L and R meter and it is affected by the mute switch. Depressing any one of the PFL switches illuminates the corresponding channel PFL yellow-LED and simultaneously activates a blinking (1 Hz) yellow master LED in the master-PFL section.

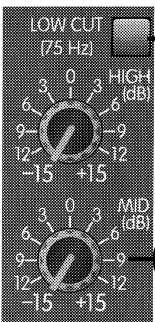
36. ASSIGNMENT SWITCHES L/R, (Group 1/2), (Group 3/4)

These switches assign post-fader, post-pan channel signal to the corresponding L/R, Group 1/2 or Group 3/4 bus.

CHANNEL 3 — 8

These channels are identical with Channel 1 and 2 with the following exceptions:

There are no PAD and POLARITY switches.



37. LOW CUT

This is a high pass filter with a corner frequency of 75 Hz. It is used to filter out rumble, wind noise, and other unwanted, low frequency components of the signal. (Switchable "on" and "off".)

38. MID (Hz) EQ

This bandpass (boost/cut) EQ feature is an active tone control. It varies the mid-frequency level ±15 dB with a fixed center frequency of 800 Hz.

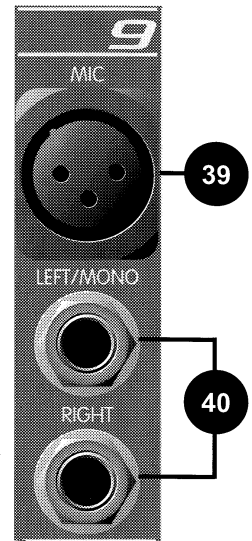
CHANNEL 9 — 16 (BACK PANEL CONNECTIONS)

39. MICROPHONE INPUT

The MICROPHONE INPUT is an XLR balanced input for a low impedance microphone. Pin 2 is the positive input.

40. STEREO LINE INPUT

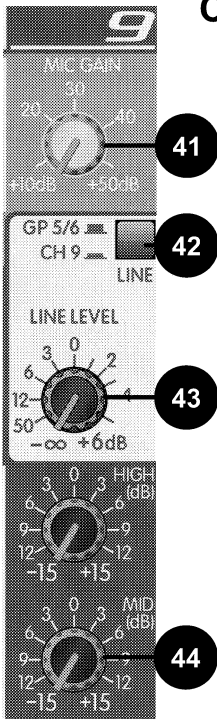
These two 1/4" (TS) unbalanced line inputs LEFT/MONO and RIGHT are for high level, line signals. If there is no 1/4" jack plugged into the RIGHT input, the signal from the LEFT/MONO jack is applied to both L and R inputs. On the stereo Channels 15 and 16, if selected, the LINE INPUT signals are sent directly to the L and R sub-channels.



CHANNEL 9 — 16 (FRONT PANEL FEATURES)

41. GAIN

The GAIN CONTROL varies the gain of the microphone input to allow a wider input dynamic range. The gain adjustment range is +10 dB to +50 dB. Proper adjustment of the mic gain will maximize the signal to noise ratio. It can be set by depressing the PFL switch (35) and adjusting for a 0 dB level at the R meter.



42. GROUP 5/6 — CHANNEL SWITCH

This switch selects where the stereo line input signal is to be sent. The out position routes the signal to the Group 5/6 bus. The mic input signal is routed through the channel. The depressed position mixes the stereo line signal into mono and directs it through its corresponding Channel 9 — 14. In this position the mic signal is muted. On the stereo channels, 15 and 16, the down position directs the stereo line input signal to the L and R sub-channels.

43. LINE LEVEL

The LINE LEVEL control varies the gain of the stereo line input from (-)infinity to unity gain at the center detente position, and to +6 dB at the full clockwise position.

44. MID (dB) EQ

This bandpass (boost/cut) active tone control varies the mid-frequency LEVELS +/-15 dB with a fixed center FREQUENCY of 800 Hz.

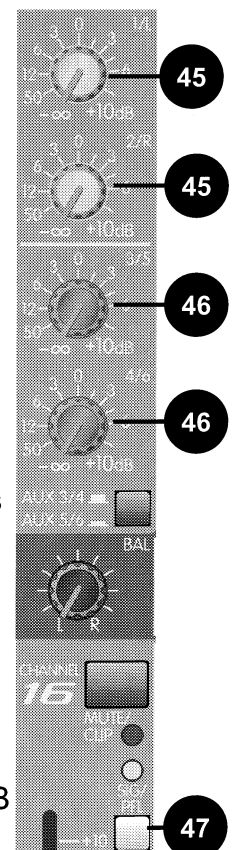
(All remaining controls and features are identical with those on Channels 1-8.)

CHANNEL 15 AND 16 (STEREO CHANNELS)

These two channels are full stereo channels with two separate L and R sub-channels each. All controls and functions are identical with those on Channels 9 — 14 with the following exceptions:

45. AUX 1/2 (MIX B L/R)

AUX 1 (MIX B L) adjusts the level of the channel's LEFT pre-fader signal that is added to AUX 1 mix. AUX 2 (MIX B R) adjusts the level of the channel's RIGHT pre-fader signal that is added to AUX 2 mix. Unity gain at the center detente position and +10 dB of gain in maximum. These serve also as a MIX B L/R mix.



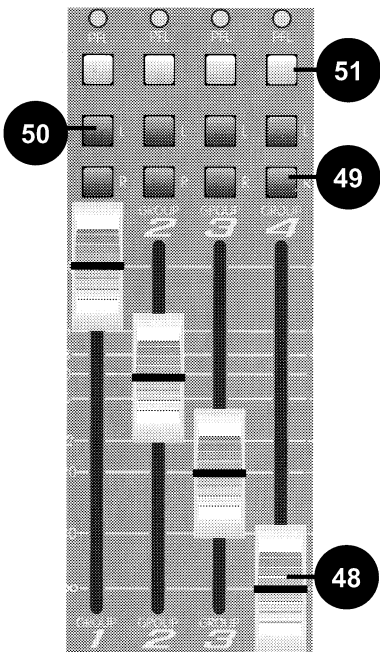
46. AUX 3/5, AUX 4/6

AUX 3/5 adjusts the level of the channel's LEFT post-fader signal that is added to either AUX 3 or AUX 5 mix according to the AUX 3/4 – AUX 5/6 switch position. AUX 4/6 adjusts the level of the channel's RIGHT post-fader signal that is added to either AUX 4 or AUX 6 mix according to the AUX 3/4 – AUX 5/6 switch position. Unity gain is at the center detente position and +10 dB of gain is at the full clockwise position.

47. PFL

The PFL switch connects the channel's L and R pre-fader signals to the PFL single mix and the post-fader, post-balance L and R signals to the SOLO L/R mix. At the same time it switches the headphone and control-room outputs from the Master L/R (main) mix (default) to the PFL or SOLO mix according to the position of the GLOBAL PFL/SOLO switch on the master section. It also connects the PFL signal to the R meter to aid the setting of the input gain and is not affected by the mute switch position. The (right) PFL meter will read 0 dB when there are signals present at both L and R channels simultaneously. If there is only one signal present at either one of the L or R channels the meter will read -6 dB lower. If the GLOBAL PFL/SOLO switch is depressed the SOLO signal is connected to the L and R meter and it is affected by the mute switch.

VII. MASTER SECTION



48. MASTER GROUP 1—4 FADERS

This smooth 60 mm, logarithmic Group 1—4 mix output level control sets the levels of the Group1-4 channels sent to the output connectors (ranges from -97 to +10 dB). The reference setting for these controls is "0 dB" — unity gain position.

49. MASTER GROUP 1—4 "R" ASSIGNMENT SWITCH

Each "R" ASSIGNMENT SWITCH assigns the Group post-fader signal to the Master R channel.

50. MASTER GROUP 1—4 "L" ASSIGNMENT SWITCH

Each "L" ASSIGNMENT SWITCH assigns the Group post-fader signal to the Master L channel.

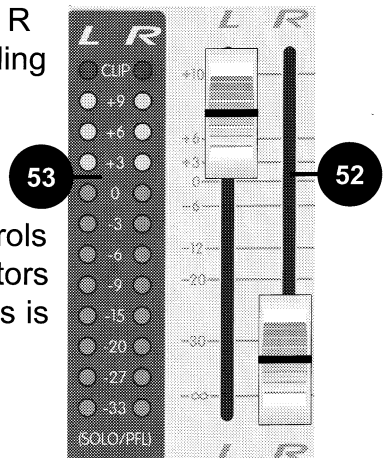
51. PFL

The PFL switch connects the Group 1-4 pre-fader signal to the PFL mix and the post-fader, signal to the SOLO L/R mix. At the same time it switches the headphone and control-room outputs from the Master L/R mix (default) to the PFL or SOLO mix

according to the position of the GLOBAL PFL/SOLO switch on the master section. It also connects the PFL signal to the R meter. The SOLO signal is connected to the L and R meter. Depressing any one of the PFL switches illuminates the corresponding group yellow-LED and simultaneously activates a blinking (1 Hz) yellow master LED in the master-PFL section.

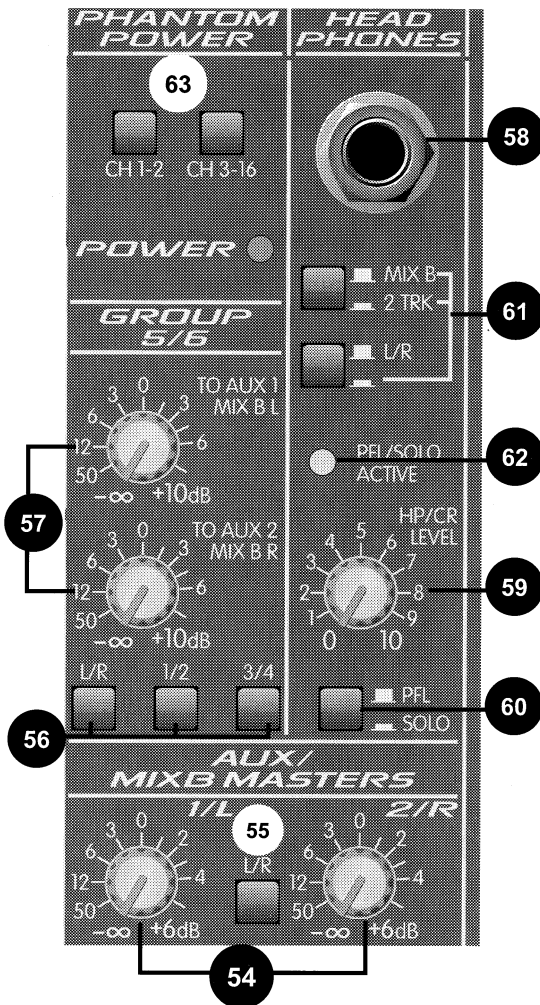
52. MASTER L/R FADERS

These smooth 60 mm, logarithmic Master L/R mix output level controls set the levels of the Master L/R channels sent to the output connectors (ranges from -97 to +10 dB). The reference setting for these controls is "0 dB" — unity gain position.



53. LED METER

This two-channel, 12-segment LED peak level meter with -33 to +9 dB range and CLIP indicator (-2 dB below clipping), displays the Master L/R signal (default). The 0dB reading corresponds to +4 dBu at the balanced outputs or 0 dBu at the unbalanced outputs. The R meter is also used with priority for PFL metering. Both L and R channels are used for SOLO L/R metering when the global PFL/SOLO switch is depressed and any of the channel or group PFL switches is engaged.



54. AUX 1/2 (MIX B L/R) MASTERS

These controls set the levels of the AUX 1/2 (MIX B L/R) channels sent to the output connectors. It ranges from (–)infinity, to unity gain at the center detente position (reference setting), to +6 dB at full clockwise.

55. AUX 1/2 TO L/R ASSIGNMENT SWITCH

This switch connects the pre-fader, AUX 1/2 mix signal to the main L/R Master bus.

56. GROUP 5/6 ASSIGNMENT SWITCHES

These switches connect the Group 5/6 signal to MASTER L/R, GROUP 1/2 and GROUP 3/4 buses.

57. GROUP 5/6 TO AUX 1 (MIX B L) and AUX 2 (MIX B R) CONTROLS

These two rotary controls set the level of the GROUP 5/6 signal sent to AUX 1 (MIX B L) and AUX 2 (MIX B R). Adjustments range from (–)infinity, to unity gain at the center detente position (reference setting), to +10 dB at the full clockwise position.

58. HEADPHONE OUTPUT

This stereo (TRS) jack, located on the front panel, provides the signal to drive stereo headphones. Tip=Left, Ring=Right, Shield=Ground. The level at the Headphones and Control room outputs is set by

the headphone level control (59). These two outputs listen to L/R Master output (default) or choice of 2TRK input or MIX B signals according to the position of the corresponding L/R–MIX B–2TRK switches in the headphone master section. When one of the PFL/SOLO switches on any channel or Group is engaged, these outputs listen to the PFL (mono signal in both headphones) or to the SOLO (stereo signal in the headphones) according to the position of the global PFL/SOLO switch in the headphone master section.

59. HEADPHONE/CR LEVEL CONTROL

This control adjusts the level of the stereo Headphone and Control room outputs.

60. PFL/SOLO

A global switch that selects which signal (PFL or SOLO) is to be monitored on the headphone and CR outputs, whenever one of the PFL switches on any channel or Group is engaged.

61. L/R-MIX B-2TRK SELECTORS

These two switches select which source signal (L/R, MIX B or 2TRK input) is to be monitored on the headphone and CR outputs, when none of the PFL switches on neither Channel nor Group is engaged.

62. PFL/SOLO ACTIVE

This yellow, master PFL LED blinks when the PFL is active and its signal is overriding the default L/R mix in the headphone and CR outputs and at the L-R meters. The signals that are present in the PFL mix can be identified by the individual LEDs lit near the corresponding Channel or Group PFL switch.

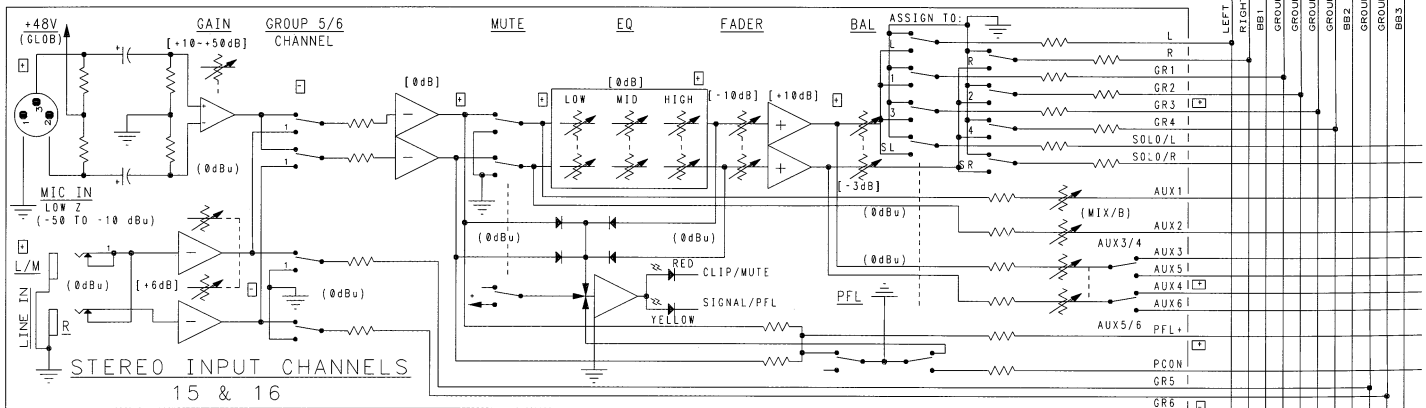
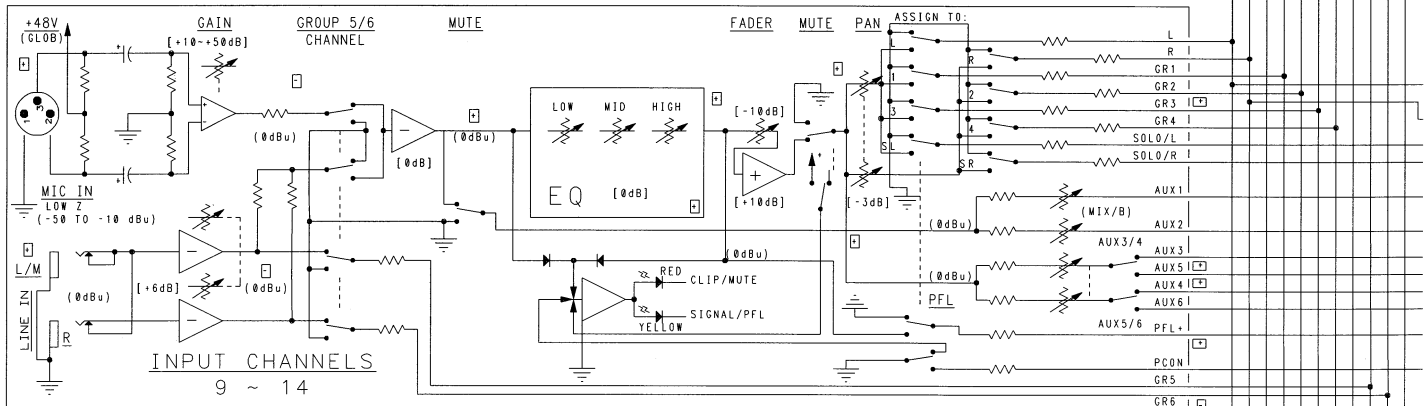
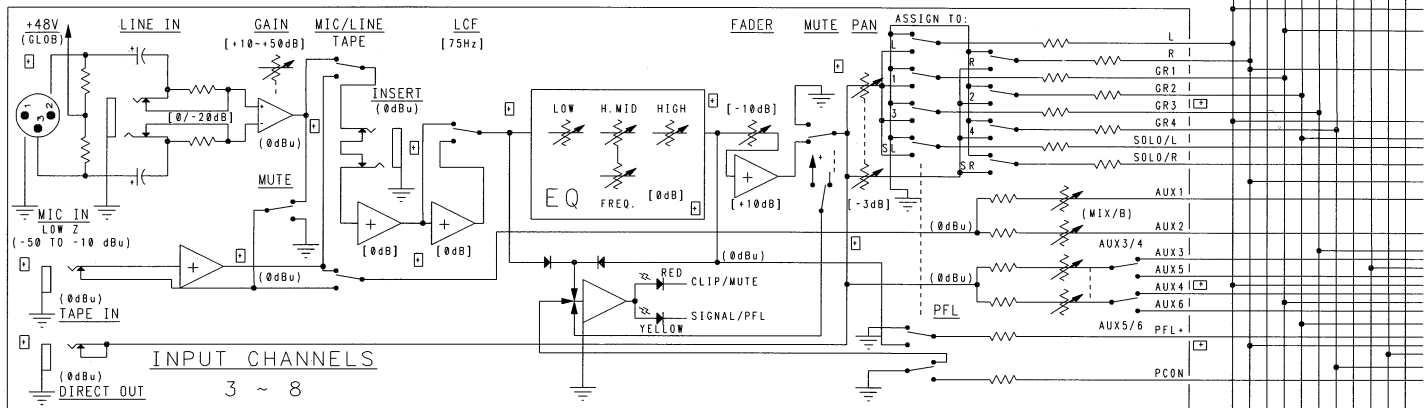
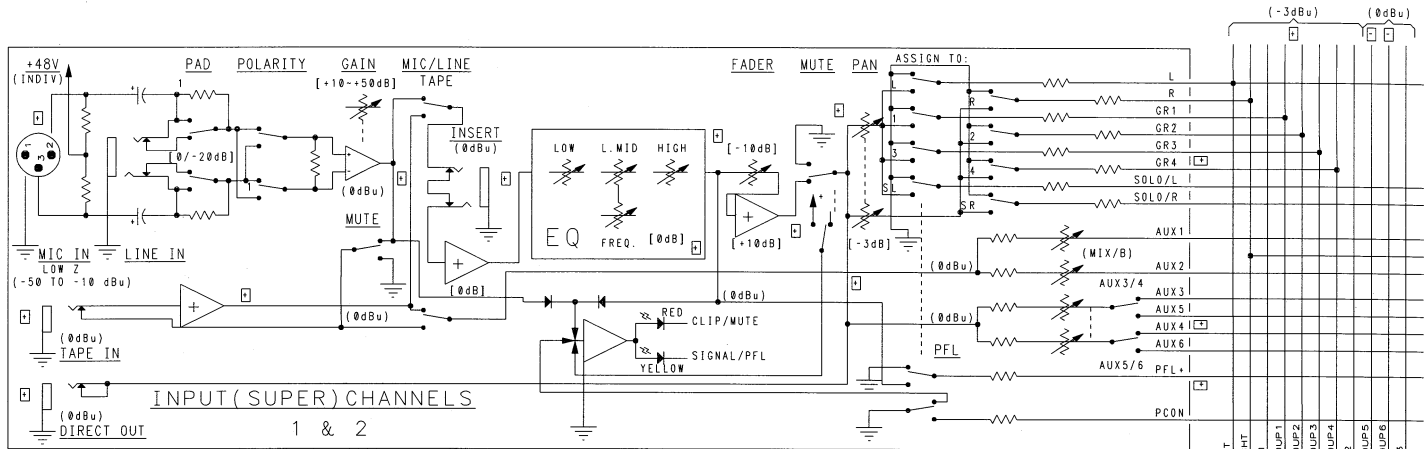
63. PHANTOM POWER CHANNEL 1—2, CHANNEL 3—16

These two switches apply the +48V DC phantom power to the mic inputs of Super-Channels 1-2 or Channels 3-16 separately. Engaging Channels 1-2 switch on the master section applies +48V DC to the microphone XLR connectors of Channels 1 and 2 to power condenser microphones that require it. Respectively, engaging Channels 3-16 switch applies +48V DC voltage to the microphone XLR connectors of Channels 3 through 16.

WARNING: If phantom power is used do not connect unbalanced dynamic microphones or other devices that cannot handle this voltage. Some wireless mic receivers may be damaged. Consult their manuals. The Line Input jacks (15 and 40) are not connected to the 48V supply and are safe for all input sources. An unbalanced-to-balanced impedance converter such as the Peavey 5116 or 7201 (female XLR) or a Peavey 1:1 interface adapter can also be used to isolate the microphone input from the 48V phantom power supply.

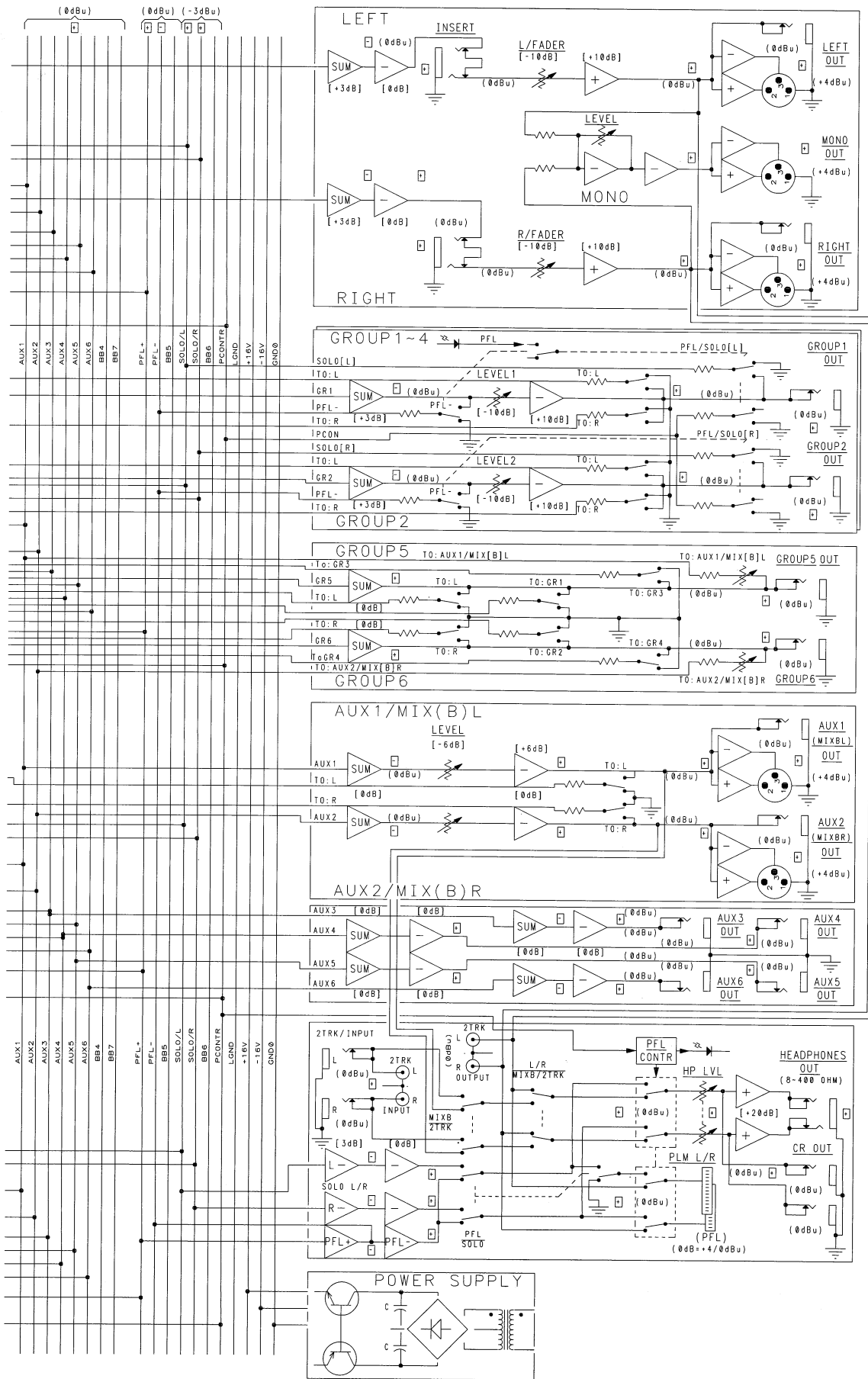
VIII.

RSM™ 4062 Block Diagram

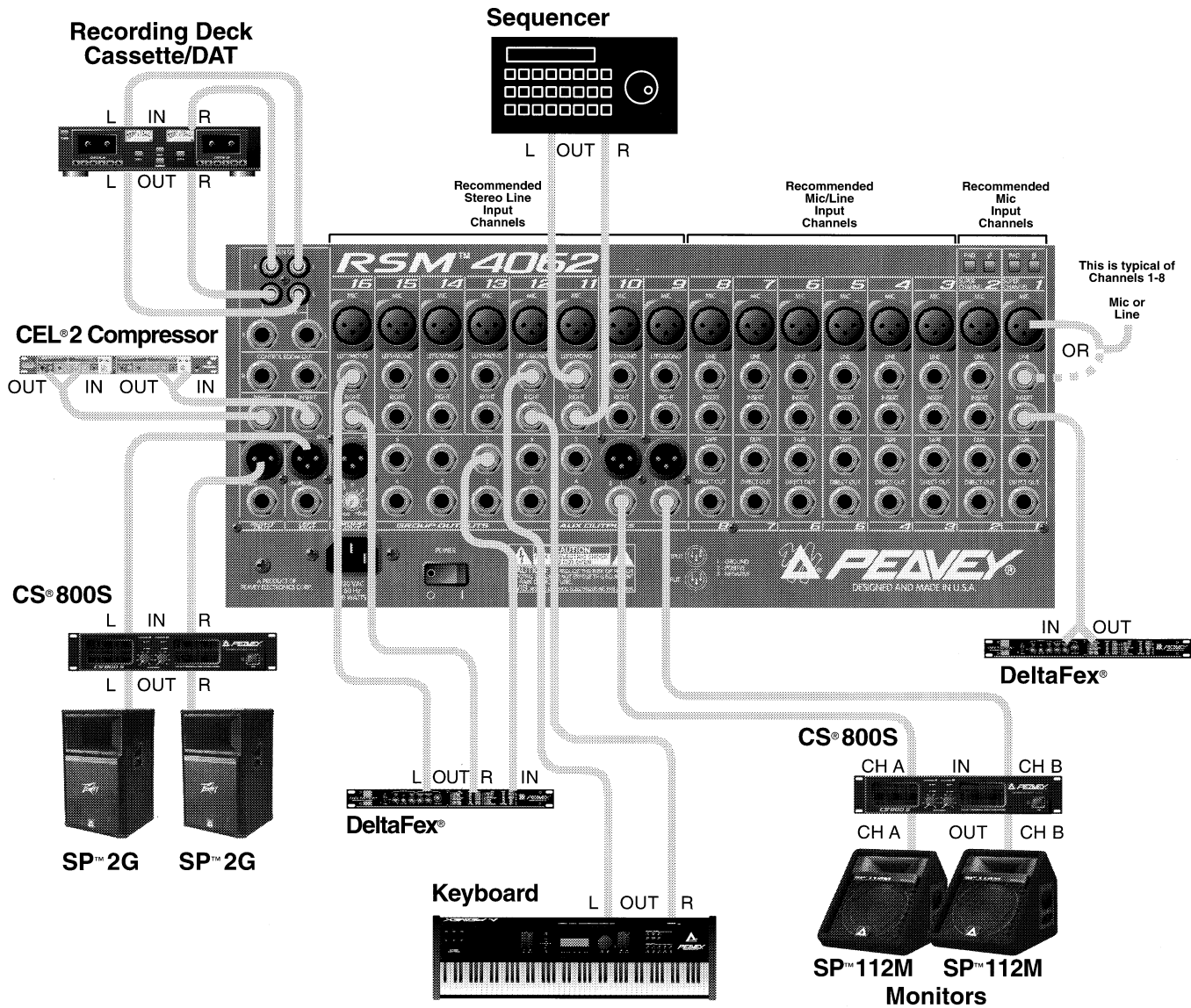


□ SIGNAL POLARITY
 () ABSOLUTE LEVEL
 [] GAIN/ATTENUATION

RSM™ 4062 Block Diagram



RSM™ 4062 Stereo PA Recommended Hookup



CONFIGURATION FEATURES:

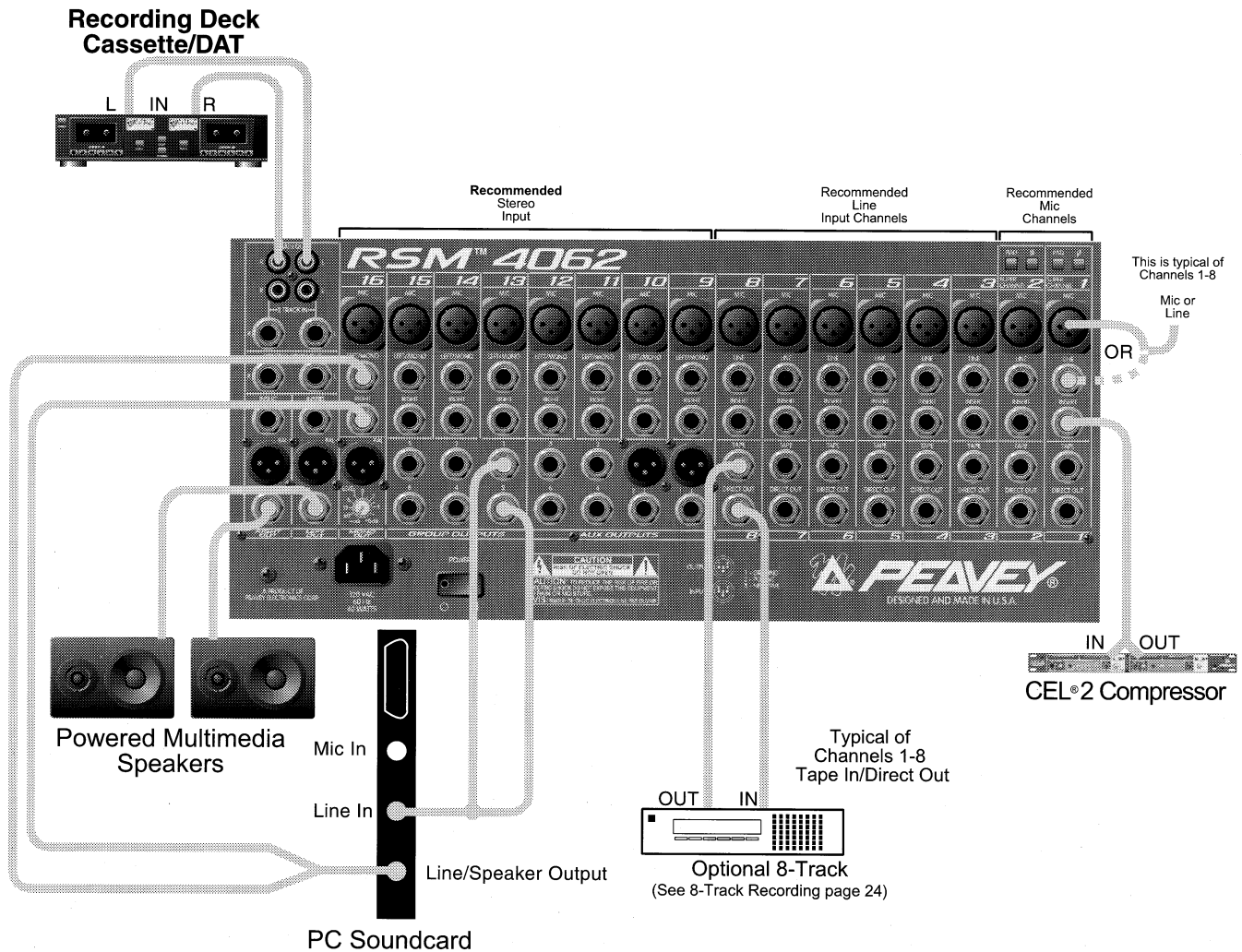
- 16 Channel stereo mixer with two Super Mic input channels, six mic/line input channels, eight stereo input channels
 - Four aux sends and six group sends for effects
 - Any of the eight stereo input channels (9-16) can be used as stereo returns for effects
 - Main L/R outputs
 - Monitor 1 and 2 outputs from Aux 1/2 (Mix B)
 - Cassette/DAT stereo (L/R) mixdown
 - Headphone monitoring of PFL (channels), Main L/R, Mix B (monitor signal)
- *NOTE: For mono operation, use the Mono Output and level control instead of the Main L/R Outputs*

**NOTE: When using the Aux or Group Outputs as effects sends, do not return to an input channel with that same send selected. For example, if you are sending Group 1 to a stereo effects unit and returning to Channel 16 (L&R), do NOT assign Channel 16 to the Group 1/2 bus via the Assign Switch. This will cause feedback.*

RSM™ 4062

Personal Audio Workstation (PC)

Recommended Hookup



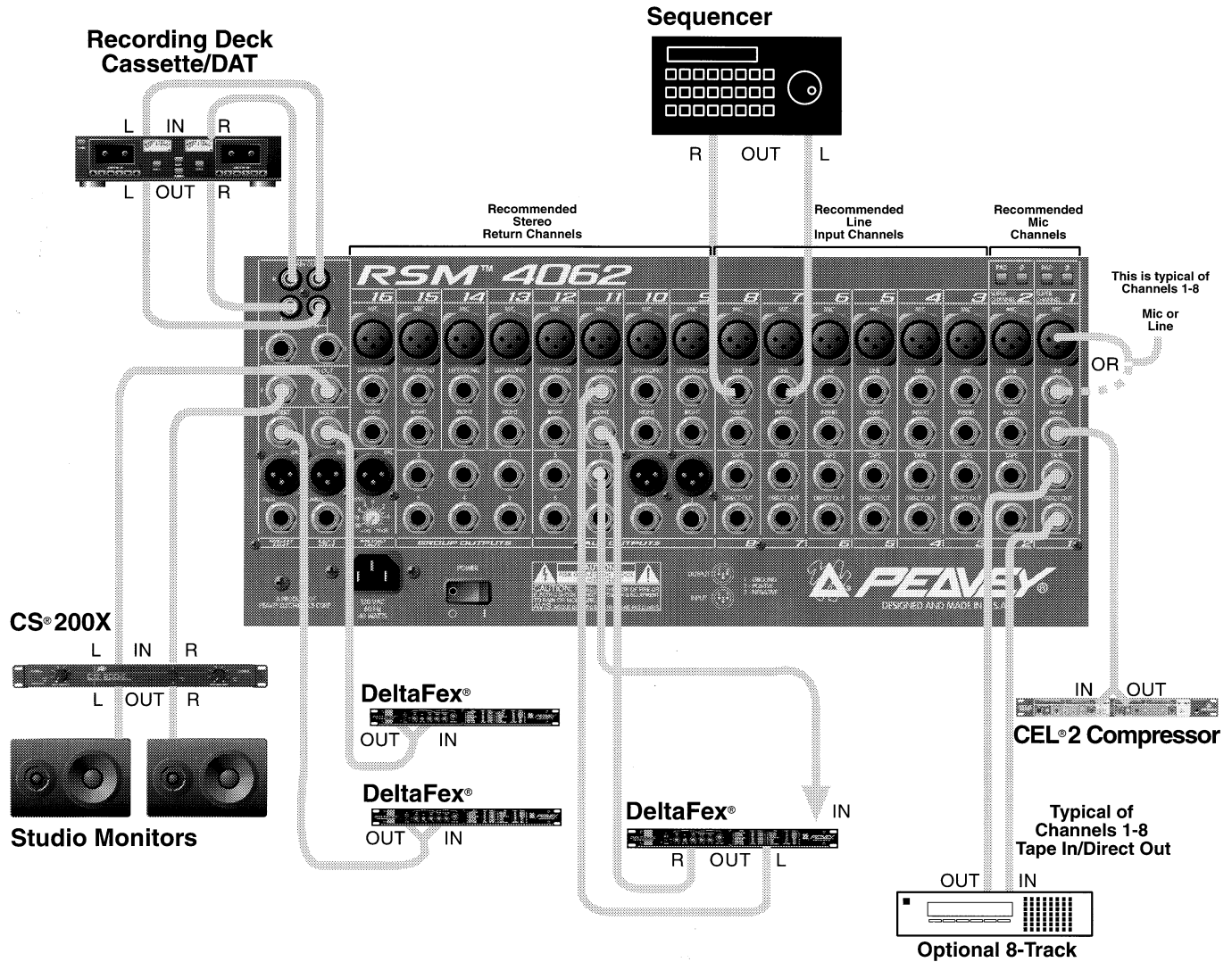
CONFIGURATION FEATURES:

- 15 channel mixer with two Super Mic input channels, six mic/line input channels, seven stereo input channels
- Stereo Monitor Output from L/R Outputs to multimedia speakers
- Cassette/DAT stereo (L/R) mixdown
- Sound card input taken from Groups 1 & 2 — allows for separate mix to sound card by assigning input channels to mix via group assign switch
- Sound card output returned to RSM 1642 on stereo input Channel 16 — allows for separate speaker and headphone monitoring
- Use PFL switches to select headphone content; select PFL on Groups 1 & 2 to monitor output to soundcard; select PFL on channel 16 to monitor soundcard output

RSM™ 4062

8-Track Recording

Recommended Hookup



CONFIGURATION FEATURES:

- 8 Input channels with direct outputs to digital 8-track
- Channel returns from 8-track selectable by Tape flip switch (no extra patching required)
- Control Room monitoring
- Cassette (or DAT) stereo mixdown
- Patch point for Main L & R signal
- Effects assigned through Aux 3 and returned in stereo to Channel 11

X. RSM 4062 SPECIFICATIONS
RSM 4062 Rack-Mountable Recording and Sound
Reinforcement Console

Input Specifications

Input	Input Imped. (Ohms) Min.	Input Pot Setting - Gain, dB	Input Levels, dBu*			Bal/ UnBal.	Connector
			Min.**	Nom.	Max.***		
Microphone Channels 1 — 16	2 k	Max. Gain +50 dB	-70	-50	-28	Bal.	XLR: Pin 1 Ground Pin 2 (+), Pin 3 (-)
		Min. Gain +10 dB	-30	-10	+12		
Microphone with pad Channels 1 & 2	20 k	Max. Gain +30 dB	-50	-30	-8	Bal.	XLR: Pin 1 Ground Pin 2 (+) Pin 3 (-)
		Min. Gain -10 dB	-10	+10	+32		
Line Channels 1 — 8	20 k	Max. Gain +30 dB	-50	-30	-8	Bal.	1/4" TRS Tip (+) Ring (-) Sleeve Ground
		Min. Gain -10 dB	-10	+10	+32		
Tape-Channel 1 — 8	20 k	N/A	-20	0	+21	Unbal.	1/4" TS: Tip (+) Sleeve Ground
Line-Channel 9 — 16	20 k	Max. Gain +6 dB	-6	0	+22	Unbal.	L/Mono, R 1/4" TS: Tip (+) Sleeve Ground
Two Track Tape	10 k	N/A	0	0	+24	Unbal.	1/4" TS: Tip (+) Sleeve Ground

* 0 dBu=0.775V (RSM)

** Minimum input level (Sensitivity) is the smallest signal that will produce nominal output with controls set for maximum gain.

*** Maximum input signal that will cause clipping with controls set at nominal gain position.

Output Specifications

Output	Nom./Min. Load Impedance (Ohms)	Output Level dBu*		Balance/ Unbalanced	Connector
		Nom.	Max.		
Master L/R	2 k	0	+22	Unbalanced	<u>1/4" TS:</u> Tip (+) Sleeve-Ground
	2 k/600	+4	+26/+24	Balanced	<u>XLR:</u> Pin 1 Ground Pin 2 (+) Pin 3 (-)
Mono	2 k/600	+4	+26/+24	Balanced	<u>XLR:</u> Pin 1 Ground Pin 2 (+) Pin 3 (-)
Group 1 — 6 Mix	2 k	0	+22	Unbalanced	<u>1/4" TS:</u> Tip (+) Sleeve Ground
Aux 1/2 — Mix B L/R	2 k	0	+22	Unbalanced	<u>1/4" TS:</u> Tip (+) Sleeve-Ground
	2 k/600	+4	+26/+24	Balanced	<u>XLR:</u> Pin 1 Ground Pin 2 (+) Pin 3 (-)
Aux 3 — 6	2 k	0	+22	Unbalanced	<u>1/4" TS:</u> Tip (+) Sleeve Ground
Control Room	10 k	0	+22	Unbalanced	<u>1/4" TS:</u> Tip (+) Sleeve Ground
Headphones	8	-14	-8 (+22 -No load)	Unbalanced	<u>1/4" TRS:</u> Tip - Left Ring - Right Sleeve Ground

* 0 dBu=0.775V (RSM)

Gain:

Mic Input to Channel Insert Send:	Variable +10 dB to +50 dB
Mic Input to Channel Direct Output (Ch. 1 to 8)	Variable +20 dB to +60 dB
Mic Input to Group 1 to 4 or L/R out	70 dB
Mic Input to Master L/R through Group 1 to 4	80 dB

Frequency Response:

Mic Input to L/R Master	20 Hz to 20 kHz (+0, -1 dB) @ Max. Gain
	20 Hz to 20 kHz (±0.5 dB) @ Min. Gain

Phase Response:

Mic Input to L/R Master	±30 deg. (20 Hz to 20 kHz)
-------------------------	----------------------------

Total Harmonic Distortion (THD):

0.01%: 20 Hz ~ 20 kHz, Mic Input to L/R Master outs @ nominal level (22 Hz to 80 kHz BW)
0.005%: 1 kHz, Mic Input to L/R Master outs @ nominal level (22 Hz to 22 kHz BW)

Hum and Noise

EIN	-128 dBu	(Terminated 150 Ohms)
-----	----------	-----------------------

Output	S/N Ratio, dB	Test Conditions
Master L/R, (Ref: Nom. Out level=+4 dBu)	-95 -90 -88 -78 -90	All Faders down Master Fader Nom./Chan. Fader down All Faders Nom: Min. Gain All Faders Nom: Max. Gain Channel Muted
Aux 1/2 (Mix B L/R) (Ref: Nom. Out Level=+4 dBu)	-93 -90 -91 -78 -93	All Controls down Master control Nom./Chan. control down All Controls Nom: Min. Gain All Controls Nom: Max. Gain Channel Muted
Group 1 to 4 (Ref: Nom. Out Level=0dBu)	-92 -90 -88 -78 -90	All Faders down Group Fader Nom./Chan. Fader down All Faders Nom: Min. Gain All Faders Nom: Max. Gain Channel Muted
Group 5 to 6 (Ref: Nom. Out Level=0 dBu)	-96 -96 -95	All Controls down Channel Control: Nom. (Unity) Gain Channel Control Max. Gain
Aux 3 to 6 (Ref: Nom. Out Level=0 dBu)	-93 -90 -78 -93	All Channel controls down Channel Controls Nom: Min. Gain Channel Controls Nom: Max. Gain Channel Muted

(Hum and Noise - with filter: 22 Hz to 22 kHz)

Crosstalk

@ 1 kHz	20 Hz to 20 kHz	Channel
>85	>85	Adjacent Input Channel
>75	>60	L to R
>75	>60	Odd to Even Group 1 thru 4

Common Mode Rejection Ratio (C.M.R.R.)

MIC Input:

70 dB	Typical @ 1 kHz Max. Gain
60 dB	Typical @ (20 Hz to 20 kHz) Max. Gain
60 dB	Typical @ 1 kHz Min. Gain

Meters:

Two peak-level meters with -33 to +9 dB of range (0 dB reading corresponds to nominal output level: +4 dBu at the balanced outputs or 0 dBu at the unbalanced outputs)

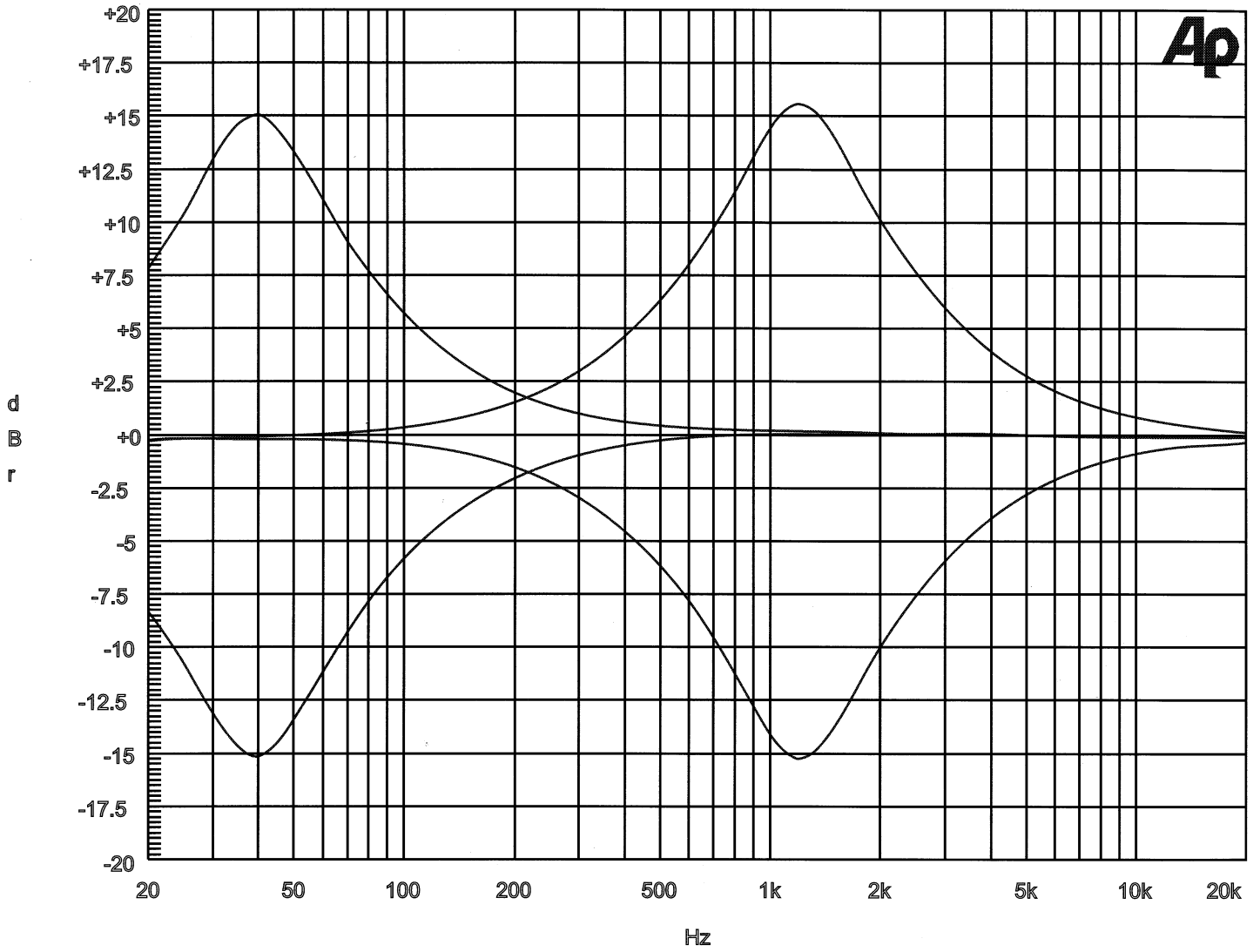
Dimensions:

In Rack (H x W x D):	13.980" x 19" x 8.094" (35.51 cm x 48.26 cm x 20.56 cm)
On Table (H x W x L):	1.955" (front)/8.940" (back) x 19" x 13.151" (4.96/22.71 cm x 48.26 cm x 33.4 cm)
Foot Print:	12.157" x 17.070" (30.88 cm x 43.36 cm)

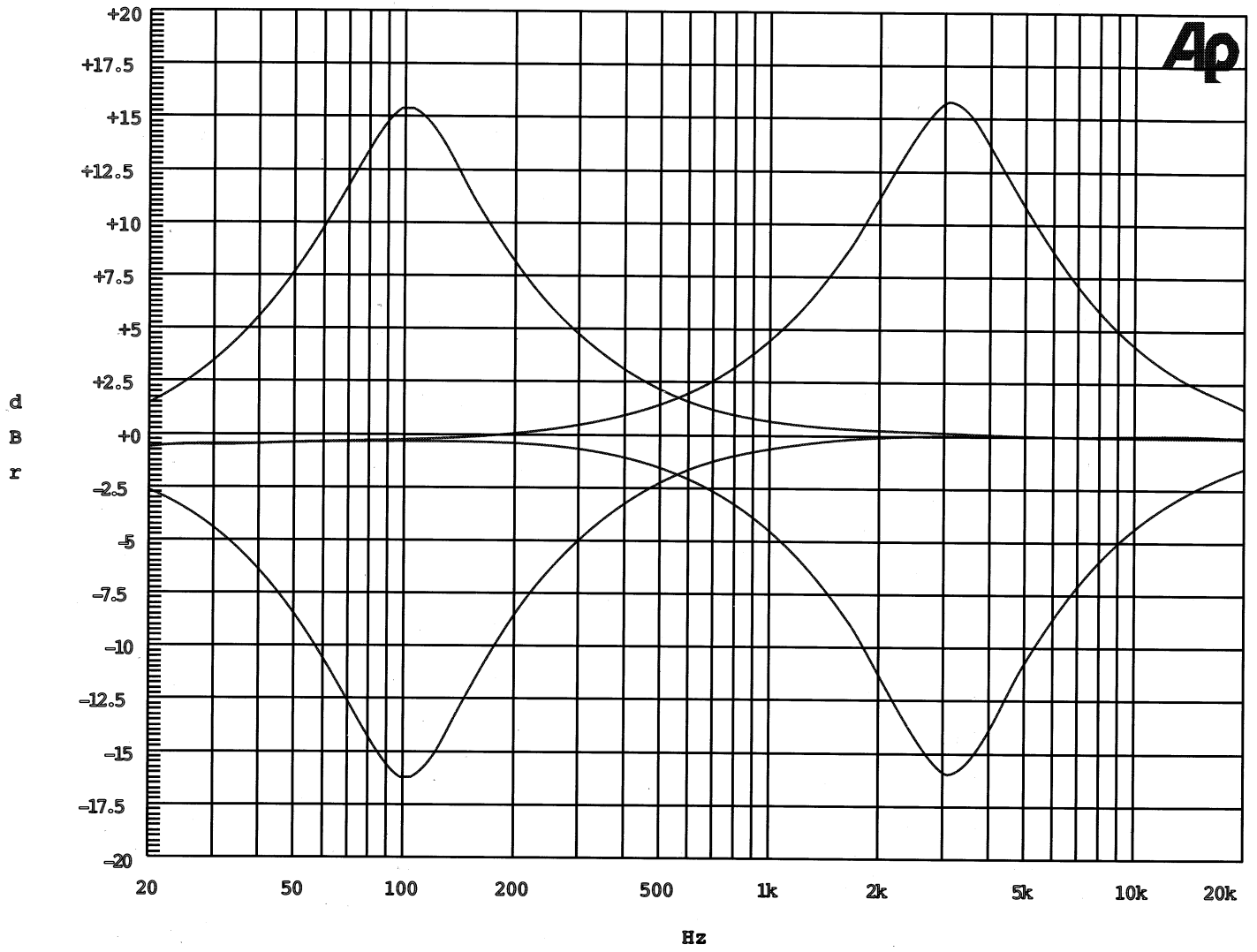
Weight:

20.3 lbs. (9.2 kg)

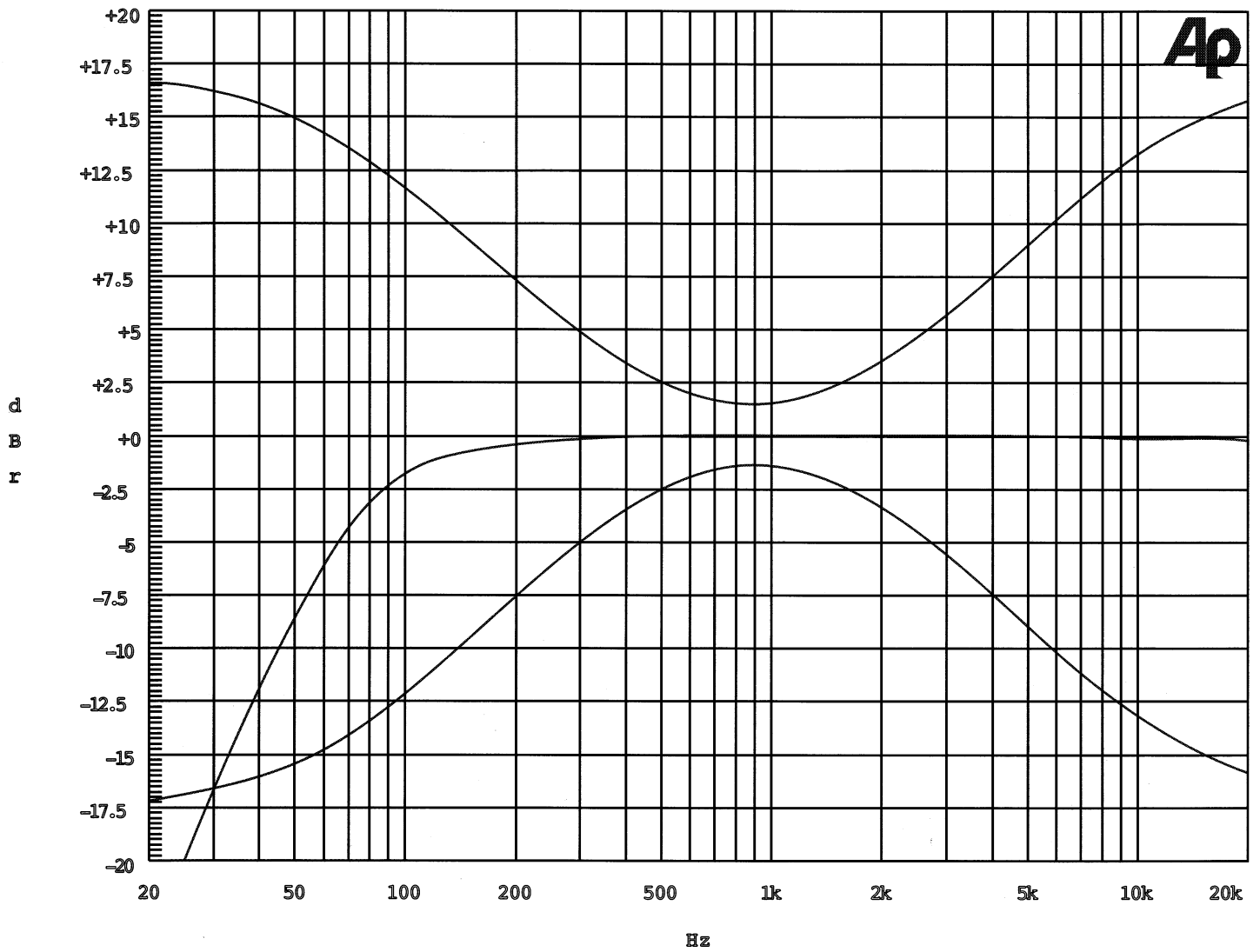
RSM 4062 Channel 1 and 2 Mid EQ



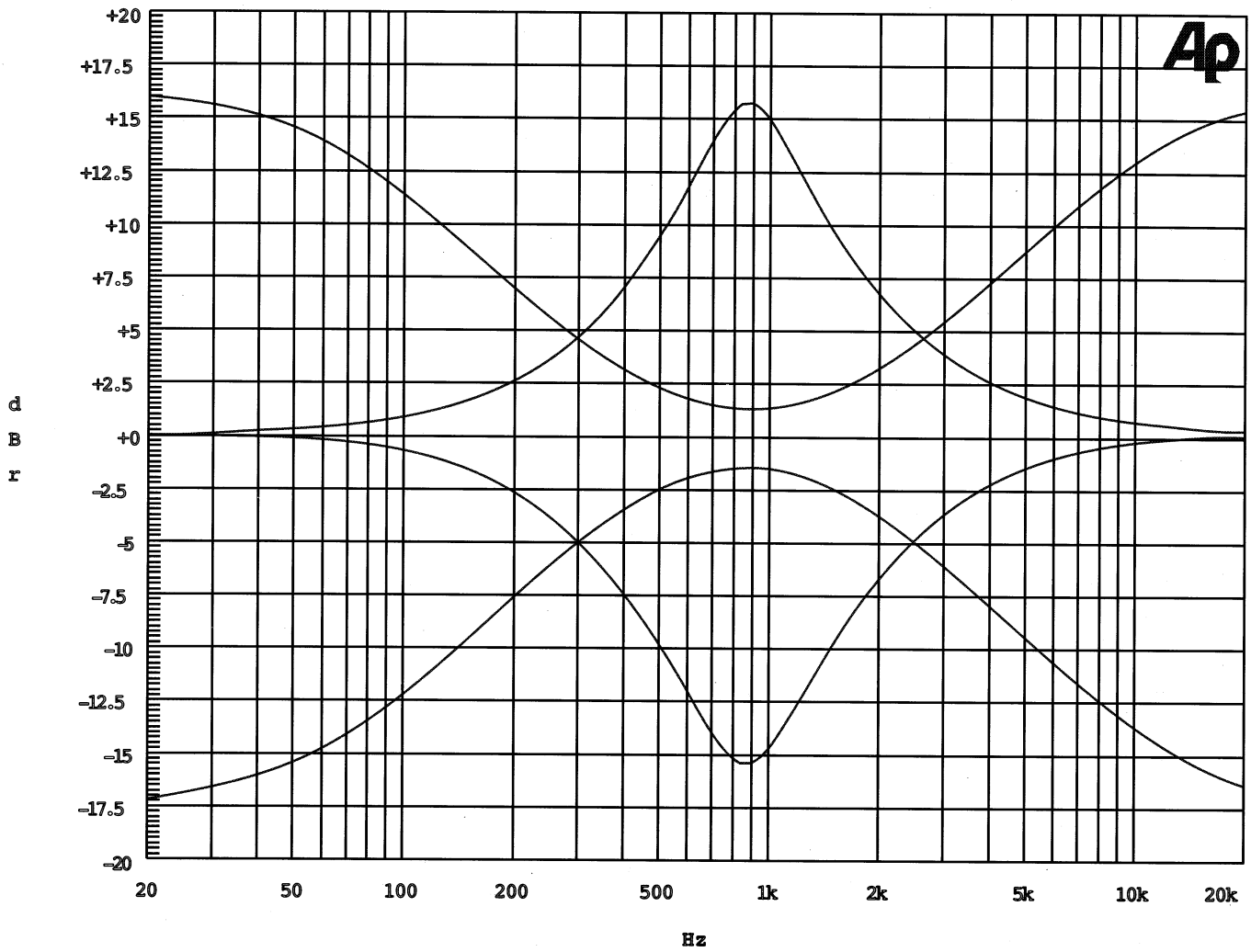
RSM 4062 Ch. 3 — 8 Mid EQ



RSM 4062 Channel Shelving EQ and LC Filter



RSM 4062 Channel 15 Mid



IMPORTANT SAFETY INSTRUCTIONS

WARNING: When using electric products, basic cautions should always be followed, including the following:

1. Read these instructions.
2. Keep these instructions.
3. Heed all warnings.
4. Follow all instructions.
5. Do not use this apparatus near water. For example, near or in a bathtub, swimming pool, sink, wet basement, etc.
6. Clean only with a damp cloth.
7. Do not block any of the ventilation openings. Install in accordance with manufacturer's instructions. It should not be placed flat against a wall or placed in a built-in enclosure that will impede the flow of cooling air.
8. Do not install near any heat sources such as radiators, heat registers, stoves or other apparatus (including amplifiers) that produce heat.
9. Do not defeat the safety purpose of the polarized or grounding-type plug. A polarized plug has two blades with one wider than the other. A grounding type plug has two blades and a third grounding plug. The wide blade or third prong is provided for your safety. When the provided plug does not fit into your inlet, consult an electrician for replacement of the obsolete outlet. Never break off the grounding. Write for our free booklet "Shock Hazard and Grounding". Connect only to a power supply of the type marked on the unit adjacent to the power supply cord.
10. Protect the power cord from being walked on or pinched, particularly at plugs, convenience receptacles, and the point they exit from the apparatus.
11. Only use attachments/accessories provided by the manufacturer.
12. Use only with a cart, stand, tripod, bracket, or table specified by the manufacturer, or sold with the apparatus. When a cart is used, use caution when moving the cart/apparatus combination to avoid injury from tip-over.
13. Unplug this apparatus during lightning storms or when unused for long periods of time.
14. Refer all servicing to qualified service personnel. Servicing is required when the apparatus has been damaged in any way, such as power-supply cord or plug is damaged, liquid has been spilled or objects have fallen into the apparatus, the apparatus has been exposed to rain or moisture, does not operate normally, or has been dropped.
15. If this product is to be mounted in an equipment rack, rear support should be provided.
16. Exposure to extremely high noise levels may cause a permanent hearing loss. Individuals vary considerably in susceptibility to noise-induced hearing loss, but nearly everyone will lose some hearing if exposed to sufficiently intense noise for a sufficient time. The U.S. Government's Occupational and Health Administration (OSHA) has specified the following permissible noise level exposures:

Duration Per Day In Hours	Sound Level dBA, Slow Response
8	90
6	92
4	95
3	97
2	100
1 1/2	102
1	105
1/2	110
1/4 or less	115

According to OSHA, any exposure in excess of the above permissible limits could result in some hearing loss. Ear plugs or protectors to the ear canals or over the ears must be worn when operating this amplification system in order to prevent a permanent hearing loss, if exposure is in excess of the limits as set forth above. To ensure against potentially dangerous exposure to high sound pressure levels, it is recommended that all persons exposed to equipment capable of producing high sound pressure levels such as this amplification system be protected by hearing protectors while this unit is in operation.

SAVE THESE INSTRUCTIONS!

PEAVEY ELECTRONICS CORPORATION LIMITED WARRANTY

Effective Date: July 1, 1998

What This Warranty Covers

Your Peavey Warranty covers defects in material and workmanship in Peavey products purchased and serviced in the U.S.A. and Canada.

What This Warranty Does Not Cover

The Warranty does not cover: (1) damage caused by accident, misuse, abuse, improper installation or operation, rental, product modification or neglect; (2) damage occurring during shipment; (3) damage caused by repair or service performed by persons not authorized by Peavey; (4) products on which the serial number has been altered, defaced or removed; (5) products not purchased from an Authorized Peavey Dealer.

Who This Warranty Protects

This Warranty protects only the original retail purchaser of the product.

How Long This Warranty Lasts

The Warranty begins on the date of purchase by the original retail purchaser. The duration of the Warranty is as follows:

Product Category	Duration
Guitars/Basses, Amplifiers, Pre-Amplifiers, Mixers, Electronic Crossovers and Equalizers	2 years *(+ 3 years)
Drums	2 years *(+ 1 year)
Enclosures	3 years *(+ 2 years)
Digital Effect Devices and Keyboard and MIDI Controllers	1 year *(+ 1 year)
Microphones	2 years
Speaker Components (incl. speakers, baskets, drivers, diaphragm replacement kits and passive crossovers) and all Accessories	1 year
Tubes and Meters	90 days

[*denotes additional warranty period applicable if optional Warranty Registration Card is completed and returned to Peavey by original retail purchaser within 90 days of purchase.]

What Peavey Will Do

We will repair or replace (at Peavey's discretion) products covered by warranty at no charge for labor or materials. If the product or component must be shipped to Peavey for warranty service, the consumer must pay initial shipping charges. If the repairs are covered by warranty, Peavey will pay the return shipping charges.

How To Get Warranty Service

(1) Take the defective item and your sales receipt or other proof of date of purchase to your Authorized Peavey Dealer or Authorized Peavey Service Center.

OR

(2) Ship the defective item, prepaid, to Peavey Electronics Corporation, International Service Center, 412 Highway 11 & 80 East, Meridian, MS 39301 or Peavey Canada Ltd., 95 Shields Court, Markham, Ontario, Canada L3R 9T5. Include a detailed description of the problem, together with a copy of your sales receipt or other proof of date of purchase as evidence of warranty coverage. Also provide a complete return address.

Limitation of Implied Warranties

ANY IMPLIED WARRANTIES, INCLUDING WARRANTIES OF MERCHANTABILITY AND FITNESS FOR A PARTICULAR PURPOSE, ARE LIMITED IN DURATION TO THE LENGTH OF THIS WARRANTY.

Some states do not allow limitations on how long an implied warranty lasts, so the above limitation may not apply to you.

Exclusions of Damages

PEAVEY'S LIABILITY FOR ANY DEFECTIVE PRODUCT IS LIMITED TO THE REPAIR OR REPLACEMENT OF THE PRODUCT, AT PEAVEY'S OPTION. IF WE ELECT TO REPLACE THE PRODUCT, THE REPLACEMENT MAY BE A RECONDITIONED UNIT. PEAVEY SHALL NOT BE LIABLE FOR DAMAGES BASED ON INCONVENIENCE, LOSS OF USE, LOST PROFITS, LOST SAVINGS, DAMAGE TO ANY OTHER EQUIPMENT OR OTHER ITEMS AT THE SITE OF USE, OR ANY OTHER DAMAGES WHETHER INCIDENTAL, CONSEQUENTIAL OR OTHERWISE, EVEN IF PEAVEY HAS BEEN ADVISED OF THE POSSIBILITY OF SUCH DAMAGES

Some states do not allow the exclusion or limitation of incidental or consequential damages, so the above limitation or exclusion may not apply to you.

This Warranty gives you specific legal rights, and you may also have other rights which vary from state to state.

If you have any questions about this warranty or service received or if you need assistance in locating an Authorized Service Center, please contact the Peavey International Service Center at (601) 483-5365 / Peavey Canada Ltd. at (905) 475-2578.

Features and specifications subject to change without notice.



Features and specifications subject to change without notice.

Peavey Electronics Corporation • 711 A Street • Meridian • MS • 39301
(601) 483-5365 • FAX (601) 486-1278 • www.peavey.com



80304640